



**DESCRIPTION**

Solenoid valve 2 way normally closed  
direct acting poppet type

**CONSTRUCTION**

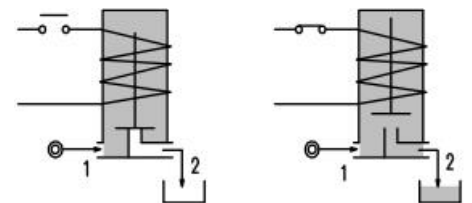
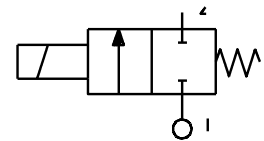
Body	Brass
Armature tube	Brass
Plunger and core	Stainless steel
Springs	Stainless steel
Seal material	NBR
	FPM
	EPDM



2

**FEATURES**

Maximum allowable pressure 50 bar\*  
 Maximum fluid viscosity 25cSt (mm<sup>2</sup>/s)  
 Ambient temperature : with class F coil -10°C +55°C  
 with class H coil -10°C +80°C  
 Universal mounting position



**OPTIONS :** Armature tube in stainless steel  
 Electroless nickel plating  
 Explosion proof coil according to ATEX - EExmII Series7  
 Manual override  
 Version for use with oxygen

CODE ① ②	Connection G ISO 228	Orifice mm	KV m <sup>3</sup> /h	Differential pressure bar			Nominal power			Coil		Seal ①	Temp. range °C
				Min	Max		AC Inrush	VA Holding	DC Watt	Series	Width		
					AC	DC							
E105A.....12///.....	1/8"	1.2	0.04	0	25	25	12	8	6.5	3	22	NBR=B	-10+90
E105A.....15///.....	1/8"	1.5	0.06	0	16	16	12	8	6.5	3	22		
E105A.....20///.....	1/8"	2	0.09	0	12	10	12	8	6.5	3	22		
E105A.....25///.....	1/8"	2.5	0.14	0	8	5.5	12	8	6.5	3	22		
E105A.....31///.....	1/8"	3.1	0.19	0	5	2	12	8	6.5	3	22	EPDM=E	<+140
E105A.....40///.....	1/8"	4	0.35	0	4	1.5	12	8	6.5	3	22		
E105A.....20///.....	1/8"	2	0.09	0	25	15	15	11	5	4	30		
E105A.....25///.....	1/8"	2.5	0.14	0	16	8	15	11	5	4	30	FPM=V	-10+130
E105A.....31///.....	1/8"	3.1	0.19	0	8	4	15	11	5	4	30		
E105A.....40///.....	1/8"	4	0.35	0	5	2.5	15	11	5	4	30		

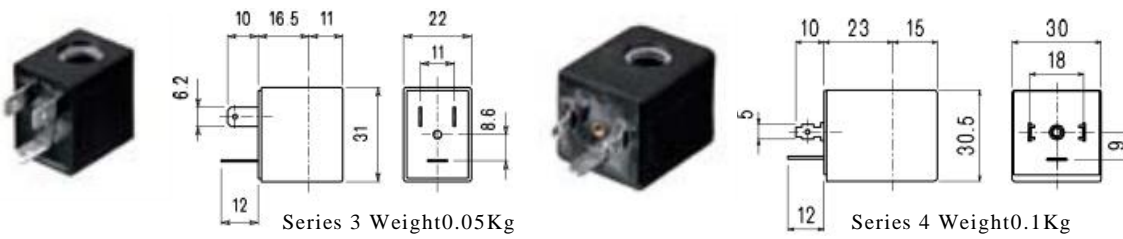
- ① Seal
- ② Coil

Example: E105AB20///30B NBR seal  
 Coil 24V 50/60Hz

\*REMARK: The maximum allowable pressure PS for steam is 2,5bar (gauge pressure)



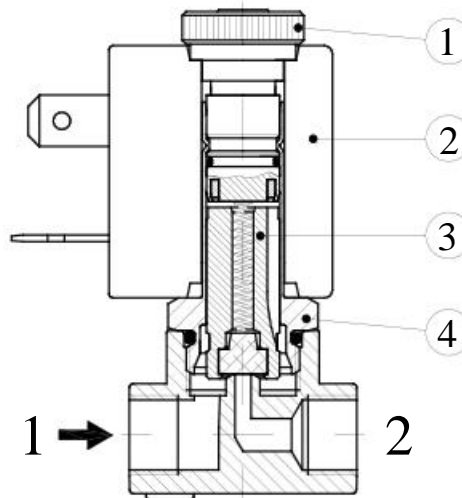
COILS	Alternating Current ~50/60Hz Volt							Direct Current Volt			Electrical connection	Connectors	DESCRIPTION Class F insulation Voltage tolerance AC +15%-10% DC ±10% Protection class IP65 with connector fitted IP00 without connector Continuous service ED100%
	12	24	48	110	220 230	240	380	12	24	48			
Series 3 Width 22 Code ②	30A	30B	30C	30D	30E	30F	30G	300	301	302	DIN46244	PG9 code 10348000	
Series 4 Width 30 Code ②	40A	40B	40C	40D	40E	40F	40G	400	401	402	DIN43650A	PG9 code 10349000	



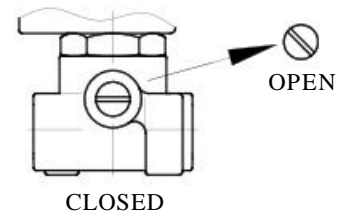
**OPTIONS**  
 Class H insulation  
 Cable attached  
 Special coil voltage  
 Special coil powers

**SPARE PARTS LIST**

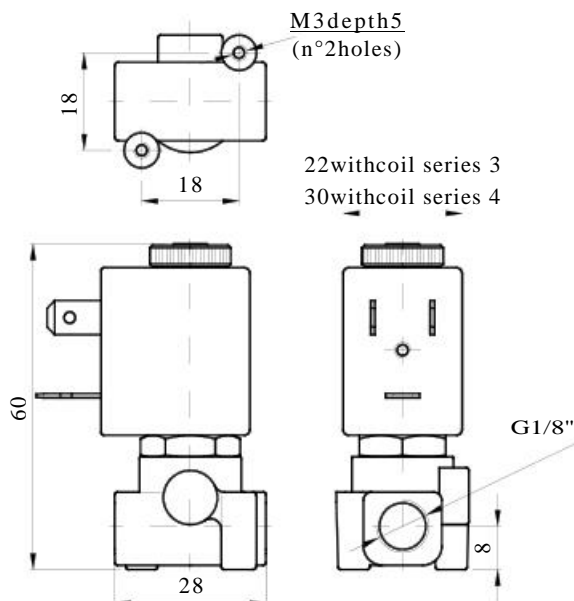
- 1. Coil fixing nut
- 2. Coil
- 3. Plunger
- 4. Armature tube with core



**MANUAL OVERRIDE**



**OVERALL DIMENSION**



Weight with coil series 3 = 0.13 Kg  
 Weight with coil series 4 = 0.18 Kg