



**DESCRIPTION**

Solenoid valve 2 way normally close  
direct acting poppet type

**CONSTRUCTION**

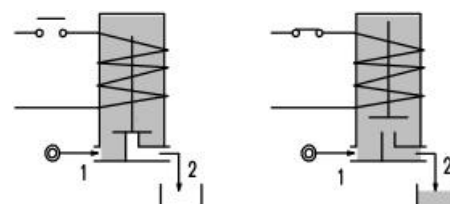
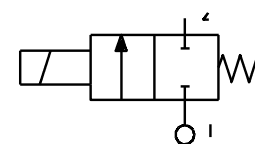
Body	Brass
Armature tube	Brass
Plunger and core	Stainless steel
Springs	Stainless steel
Seal material	NBR
	FPM
	EPDM



2

**FEATURES**

Maximum allowable pressure 50 bar\*  
 Maximum fluid viscosity 25cSt (mm<sup>2</sup>/s)  
 Ambient temperature : with class F coil -10°C +55°C  
 with class H coil -10°C +80°C  
 Universal mounting position



**OPTIONS :** Stainless steel armature tube  
 Electroless nickel plating  
 Explosion proof coil according to ATEX - EExmII Series7

CODE ① ②	Flange	Orifice mm	KV m <sup>3</sup> /h	Differential pressure bar			Nominal power			Coil		Seal ①	Temp. range °C
				Min	Max		AC Inrush	VA Holding	DC Watt	Series	Width		
					AC	DC							
E112X.....12///.....	Q 25	1.2	0.04	0	25	25	12	8	6.5	3	22	NBR=B	-10+90
E112X.....15///.....	Q 25	1.5	0.06	0	16	16	12	8	6.5	3	22		
E112X.....20///.....	Q 25	2	0.09	0	12	10	12	8	6.5	3	22	EPDM=E	<+140
E112X.....25///.....	Q 25	2.5	0.14	0	8	5.5	12	8	6.5	3	22		
E112X.....20///.....	Q 25	2	0.09	0	25	15	15	11	5	4	30	FPM=V	-10+130
E112X.....25///.....	Q 25	2.5	0.14	0	16	8	15	11	5	4	30		

- ① Seal
- ② Coil

Example: E112XB20///30B NBR seal  
 Coil 24V 50/60Hz

Solenoid valve supplied without fixing screws

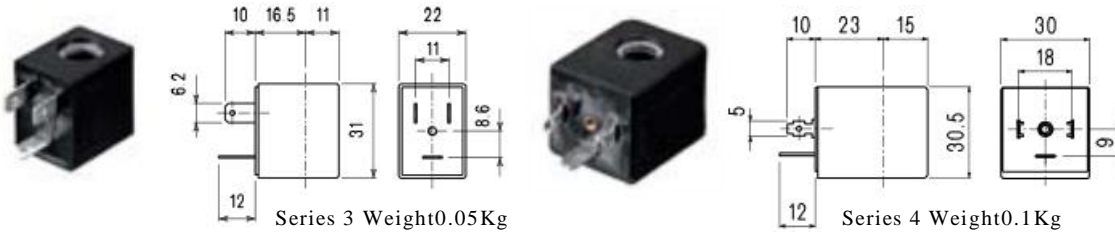
\*REMARK: The maximum allowable pressure PS for steam is 2,5bar (gauge pressure)



COILS	Alternating Current ~50/60Hz Volt							Direct Current Volt			Electrical Connection	Connectors
	12	24	48	110	220 230	240	380	12	24	48		
Series 3 Width 22 Code ②	30A	30B	30C	30D	30E	30F	30G	300	301	302	DIN46244	PG9 code 10348000
Series 4 Width 30 Code ②	40A	40B	40C	40D	40E	40F	40G	400	401	402	DIN43650A	PG9 code 10349000

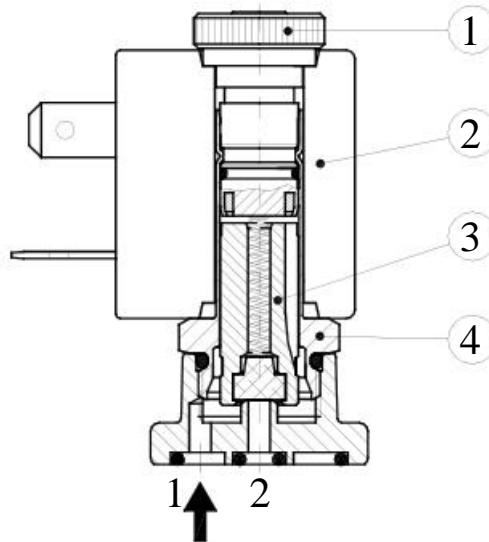
**DESCRIPTION**  
 Class F insulation  
 Voltage tolerance  
 AC +15%-10%  
 DC ±10%  
 Protection class  
 IP65 with connector fitted  
 IP00 without connector  
 Continuous service ED100%

**OPTIONS**  
 Class H insulation  
 Cable attached  
 Special coil voltages  
 Special coil powers

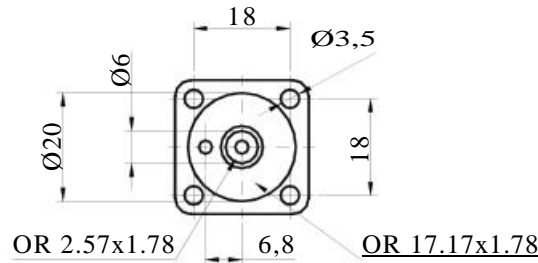


**SPARE PARTS LIST**

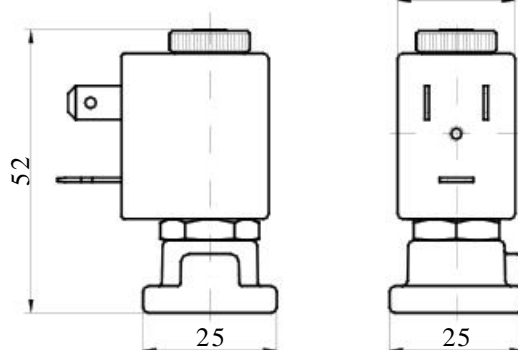
- 1. Coil fixing nut
- 2. Coil
- 3. Plunger
- 4. Armature tube with core



**OVERALL DIMENSION**



22 with coil series 3  
 30 with coil series 4



Weight with coil series 3 = 0.12 Kg  
 Weight with coil series 4 = 0.17 Kg