



**DESCRIPTION**

Solenoid valve 2 way normally closed  
direct acting poppet type

**CONSTRUCTION**

Body	Brass
Armature tube	Stainless steel
Plunger and core	Stainless steel
Springs	Stainless steel
Seal material	NBR
	FPM
	EPDM
	PTFE

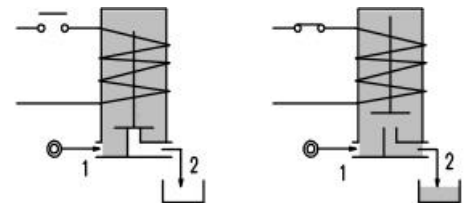
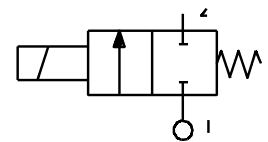


2

**FEATURES**

Maximum allowable pressure 50 bar\*  
 Maximum fluid viscosity 25cSt (mm<sup>2</sup>/s)  
 Ambient temperature : with class F coil -10°C +55°C  
 with class H coil -10°C +80°C  
 Universal mounting position

**OPTIONS :** Manual override  
 Electroless nickel plating  
 Stainless steel seat



CODE ① ②	Flange	Orifice mm	KV m <sup>3</sup> /h	Differential pressure bar			Nominal power			Coil		Seal ①	Temp. range °C
				Min	Max		AC Inrush	VA Holding	DC Watt	Series	Width		
					AC	DC							
E114X.....15///.....	Q 32	1.5	0.07	0	30	26	20	15	10	2	30	NBR=B	-10+90
E114X.....20///.....	Q 32	2	0.1	0	22	20	20	15	10	2	30		
E114X.....25///.....	Q 32	2.5	0.15	0	16	14	20	15	10	2	30		
E114X.....35///.....	Q 32	3.5	0.32	0	10	8	20	15	10	2	30	EPDM=E	<+140
E114X.....45///.....	Q 32	4.5	0.41	0	6.5	3.5	20	15	10	2	30		
E114X.....52///.....	Q 32	5.2	0.47	0	4	1.8	20	15	10	2	30	FPM=V	-10+130
E114X.....25///.....	Q 32	2.5	0.15	0	35	33	40	30	27	5	36		
E114X.....35///.....	Q 32	3.5	0.32	0	20	19	40	30	27	5	36	PTFE=W	-10+160
E114X.....45///.....	Q 32	4.5	0.41	0	14	13	40	30	27	5	36		
E114X.....52///.....	Q 32	5.2	0.47	0	10	9	40	30	27	5	36		

- ① Seal Example: E114XB25///20E NBR seal
- ② Coil Coil 220V 50/60Hz
- ③ Maximum allowable leakage <0.2nL/h

Solenoid valve supplied without fixing screws

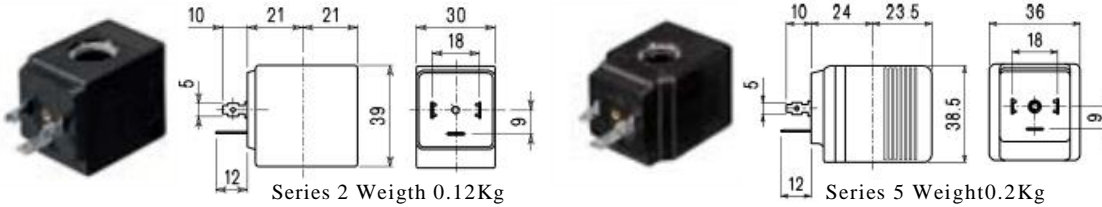
\*REMARK: The maximum allowable pressure PS for steam is 2,5bar (gauge pressure)



COILS	Alternating Current ~50/60Hz Volt							Direct Current Volt			Electrical connection	Connectors
	12	24	48	110	220 230	240	380	12	24	48		
Series 2 Width30 Code ②	20A	20B	20C	20D	20E	20F	20G	200	201	202	DIN43650A	PG9 code 10349000
Series 5 Width36 Code ②	52A	52B	52C	52D	52E	52F	52G	521	521	522	DIN43650A	PG11 code 10349001

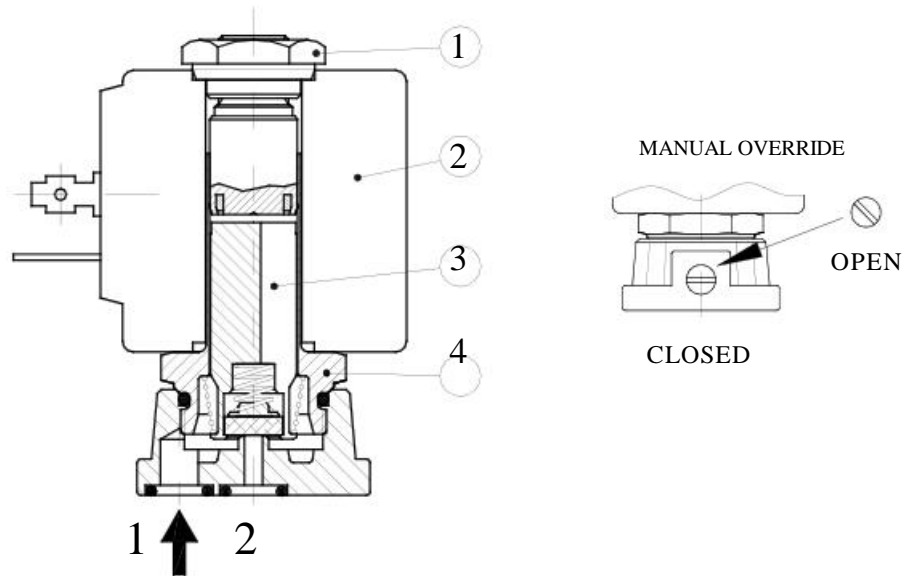
**DESCRIPTION**  
 Insulationclass  
 Series 2=F Series 5=H  
 Voltagetolerance  
 AC +15%-10%  
 DC ±10%  
 Protectionclass  
 IP65withconnectorfitted  
 IP00withoutconnector  
 Continuous serviceED100%

**OPTIONS**  
 Class Hinsulation(series 2)  
 Cableattached  
 Special coil voltages  
 Special coil powers

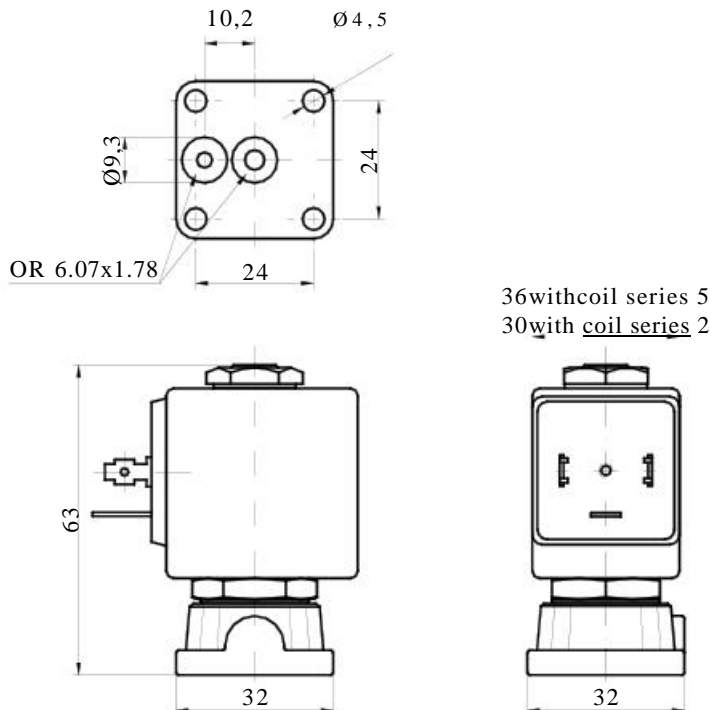


**SPARE PARTS LIST**

- 1. Coil fixing nut
- 2. Coil
- 3. Plunger
- 4. Armature tube with core



**OVERALL DIMENSION**



Weightwith coil series 2 =0.24 Kg  
 Weightwith coil series 5 =0.32 Kg