



DESCRIPTION

Solenoid valve 2 way direct acting poppet type . Bi-stable impulse drive. The bi-stable function is achieved by the use of a polarised permanent magnet energising the coil with a DC current for at least 15ms in the reverse direction of the preceding impulse.

CONSTRUCTION

Body	Brass
Armature tube	Brass
Plunger and core	Stainless steel
Magnet	NeFeB
Springs	Stainless steel
Seal material	NBR
	FPM
	EPDM

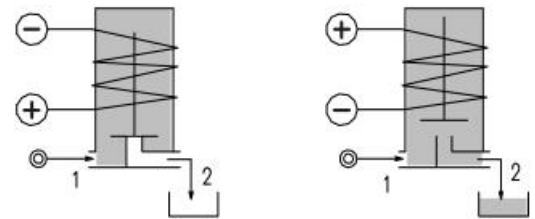
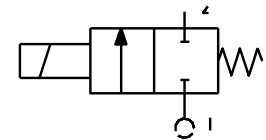
FEATURES

Maximum allowable pressure 50 bar
 Maximum fluid viscosity 25cSt (mm²/s)
 Ambient temperature : with class F coil -10°C +55°C
 with class H coil -10°C +80°C
 Universal mounting position

OPTIONS : Armature tube in stainless steel
 Electroless nickel plating
 Explosion proof coil according to ATEX - EExmII Series7
 Special powers



2



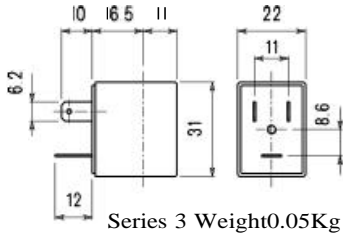
CODE ① ②	Connection G ISO 228	Orifice mm	KV m ³ /h	Differential pressure bar		Nominal power DC Watt	Coil		Seal ①	Temp. range °C
				Min	Max		Series	Width		
D115A.....12///.....	1/8"	1.2	0.04	0	12	2	3	22	NBR=B	-10+90
D115A.....15///.....	1/8"	1.5	0.06	0	8	2	3	22		
D115A.....20///.....	1/8"	2	0.09	0	3	2	3	22	EPDM=E	<+140
	1/8"	2	0.09	0	12	5	3	22		
D115A.....25///.....	1/8"	2.5	0.14	0	1	2	3	22		
	1/8"	2.5	0.14	0	5	5	3	22		
D115A.....31///.....	1/8"	3.1	0.19	0	2	5	3	22	FPM=V	-10+130
	1/8"	3.1	0.19	0	3.5	6.5	3	22		

- ① Seal
- ② Coil

Example: D115AE20///300120 EPDM seal
 Coil 12V DC 2W



COIL	DIRECT CURRENT															Electrical connection	Connectors
	3V			6V			9V			12V			24V				
	2W	5W	6.5W	2W	5W	6.5W	2W	5W	6.5W	2W	5W	6.5W	2W	5W	6.5W		
Series 3 Width 22 Code	308120			305120	305150		307120	307150		300120	300150	300	301120	301150	301	DIN 46244	PG9 code 10348000



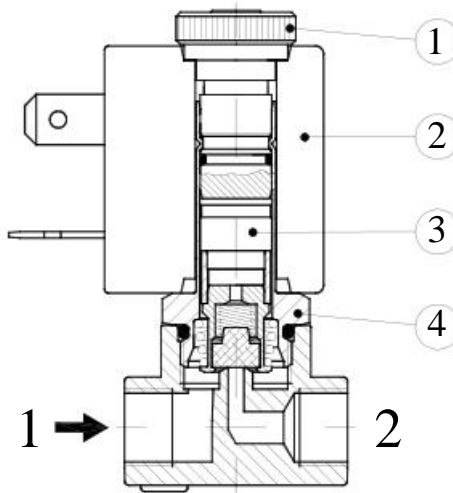
Series 3 Weight 0.05Kg

DESCRIPTION
 Class F insulation
 Voltage tolerance ±10%
 Protection class
 IP65 with connector fitted
 IP00 without connector

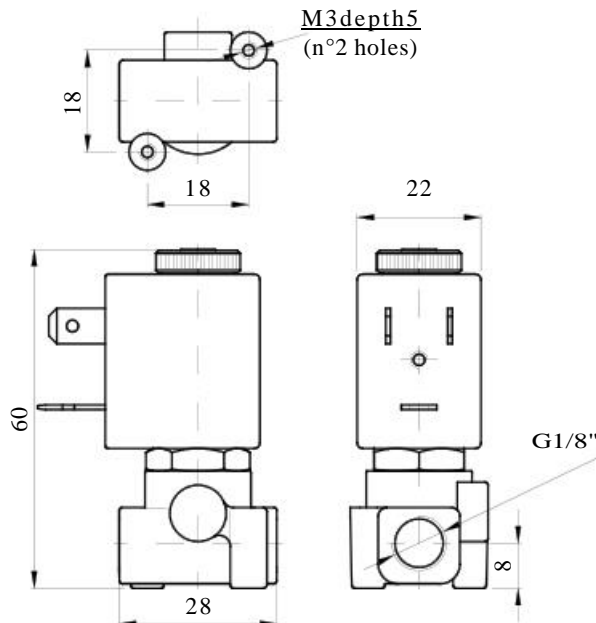
OPTIONS
 Class H insulation
 Cable attached
 Special coil powers
 Special coil voltages

SPARE PARTS LIST

- 1. Coil fixing nut
- 2. Coil
- 3. Plunger
- 4. Armature tube with core



OVERALL DIMENSION



Weight = 0.14 Kg