



DESCRIPTION

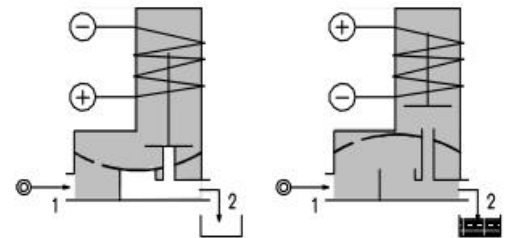
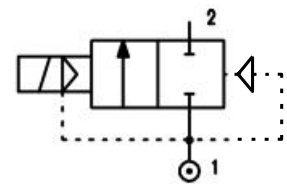
Solenoid valve 2 way with servo-assisted diaphragm bi-stable.

The bi-stable function is achieved by the use of a polarised permanent magnet energising the coil with a DC current for at least 15ms in the reverse direction of the preceding impulse.



CONSTRUCTION

Body and cover	Brass
Armature tube	Stainless steel
Plunger and core	Stainless steel
Magnet	NeFeB
Springs	Stainless steel
Seal material	NBR
	FPM
	EPDM



4

FEATURES

- Minimum differential pressure 0.15 bar
- Maximum allowable pressure 25 bar
- Maximum fluid viscosity 25cSt (mm²/s)
- Ambient temperature : with class F coil -10°C +55°C
with class H coil -10°C +80°C
- Preferred mounting position with vertical coil above

OPTIONS : Special coil powers
Certified versions:



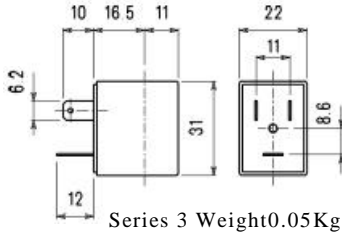
CODE ① ②	Connection G ISO 228	Orifice mm	KV m ³ /h	Differential pressure bar			Nominal power			Coil		Seal ①	Temp. range °C
				Min	Max		AC Inrush	VA Holding	DC Watt	Series	Width		
					AC	DC							
D117B.....10///.....	1/4"	10	1.5	0.15	-	8	-	-	2	3	22	NBR=B EPDM=E FPM=V	-10+90 <+140 -10+130
	1/4"	10	1.5	0.15	-	15	-	-	5	3	22		
D117C.....10///.....	3/8"	10	1.7	0.15	-	8	-	-	2	3	22		
	3/8"	10	1.7	0.15	-	15	-	-	5	3	22		
D117C.....12///.....	3/8"	12	2.2	0.15	-	8	-	-	2	3	22		
	3/8"	12	2.2	0.15	-	15	-	-	5	3	22		
D117D.....12///.....	1/2"	12	2.5	0.15	-	8	-	-	2	3	22		
	1/2"	12	2.5	0.15	-	15	-	-	5	3	22		
D117E.....18///.....	3/4"	18	5.5	0.15	-	8	-	-	2	3	22		
	3/4"	18	5.5	0.15	-	13	-	-	5	3	22		
D117F.....25///.....	1"	25	10.2	0.15	-	8	-	-	2	3	22		
	1"	25	10.2	0.15	-	10	-	-	5	3	22		
D117G.....30///.....	1 1/4"	30	15	0.15	-	8	-	-	2	3	22		
	1 1/4"	30	15	0.15	-	10	-	-	5	3	22		

- ① Seal
- ② Coil

Example: D117DB12///301120 NBR seal
Coil 24V DC 2W



COIL	DIRECT CURRENT															Electrical connection	Connectors
	3V			6V			9V			12V			24V				
	2W	5W	6.5W	2W	5W	6.5W	2W	5W	6.5W	2W	5W	6.5W	2W	5W	6.5W		
Series 3 Width 22 Code \odot	308120			305120	305150		307120	307150		300120	300150	300	301120	301150	301	DIN 46244	PG9 code 10348000



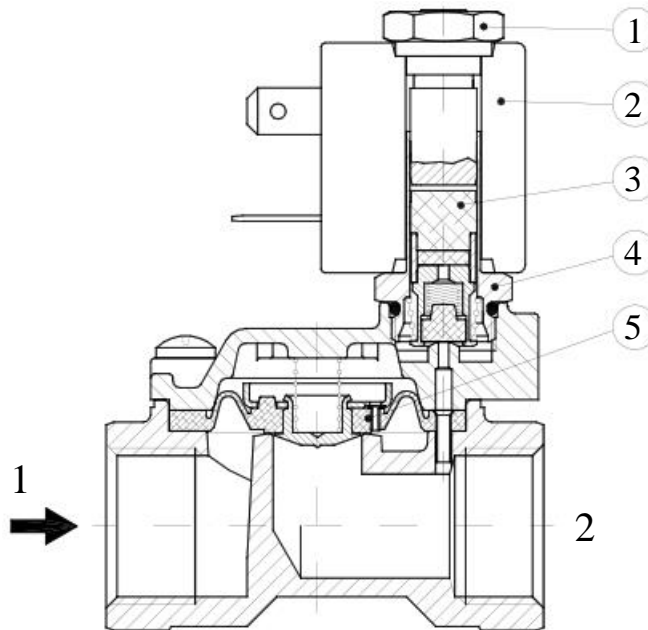
Series 3 Weight 0.05Kg

DESCRIPTION
 Class F insulation
 Voltage tolerance $\pm 10\%$
 Protection class
 IP65 with connector fitted
 IP00 without connector

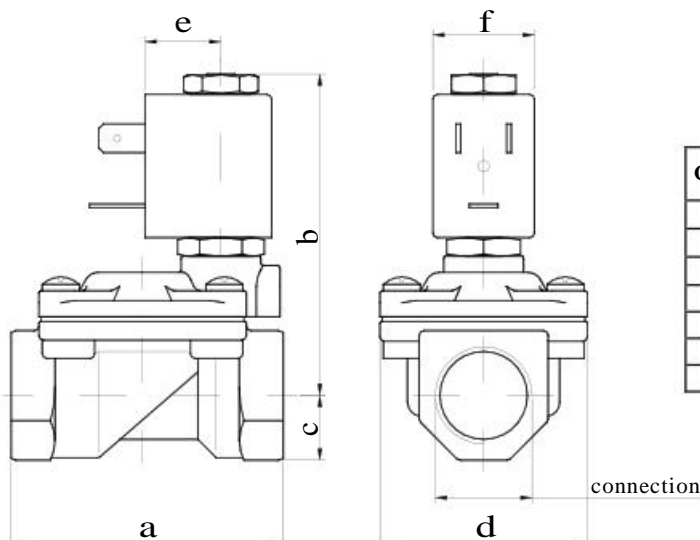
OPTIONS
 Class H insulation
 Cable attached
 Special coil voltages
 Special coil powers

SPARE PARTS LIST

1. Coil fixing nut
2. Coil
3. Plunger
4. Armature with core
5. Diaphragm assembly



OVERALL DIMENSION



CONNECTION	a	b	c	d	e	f	Weight Kg	
G1/4"	10	49	65	11	32	16	22	0.25
G3/8"	10	49	65	11	32	16	22	0.25
G3/8"	12	59	70	14	45	16	22	0.45
G1/2"		59	70	14	45	16	22	0.40
G3/4"		79	74	18	55	16	22	0.66
G1"		96	85	20	72	16	22	1.05
G1" 1/4 Ø30		119	92	25	85	16	22	1.80