



DESCRIPTION

Solenoid valve 2 way normally closed
direct acting poppet type

CONSTRUCTION

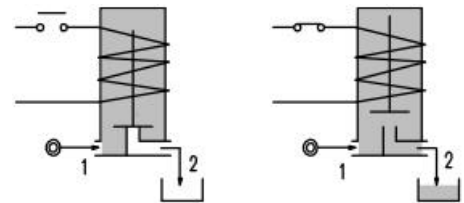
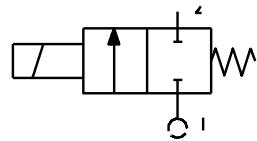
Body	Brass
Armature tube	Brass
Plunger and core	Stainless steel
Springs	Stainless steel
Seal material	NBR
	FPM



2

FEATURES

Maximum allowable pressure 30 bar
 Maximum fluid viscosity 25cSt (mm²/s)
 Ambient temperature : with class F coil -10°C +55°C
 with class H coil -10°C +80°C
 Universal mounting position



OPTIONS : Electroless nickel plating

CODE ① ②	Connection	Orifice mm	KV m ³ /h	Differential pressure bar			Nominal power			Coil		Seal ①	Temp. Range °C
				Min	Max		AC Inrush	VA Holding	DC Watt	Series	Width		
					AC	DC							
D121L.....10///.....	M5	1	0.03	0	-	10	-	-	2	6	16	NBR=B	-10+90
D121L.....12///.....	M5	1.2	0.037	0	-	7	-	-	2	6	16		
D121L.....12///.....	M5	1.2	0.037	0	-	12	-	-	4	6	16		
D121L.....16///.....	M5	1.6	0.055	0	-	3	-	-	2	6	16	FPM=V	-10+130
D121L.....16///.....	M5	1.6	0.055	0	-	8	-	-	4	6	16		
D121L.....20///.....	M5	2	0.082	0	-	1.4	-	-	2	6	16		
D121L.....20///.....	M5	2	0.082	0	-	4	-	-	4	6	16		

- ① Seal
- ② Coil

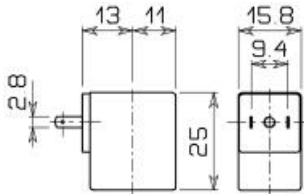
Example: D121LV12///60112 FPM seal
Coil 24V DC 2W



COIL	Direct Current				Electrical connection	Connectors
	12V		24V			
	2W	4W	2W	4W		
Series 6 Width 16 Code ②	60012	60014	60112	60114	AMP 2.8X0.5	PG710348040

DESCRIPTION
 Class F insulation
 Voltage tolerance ±5%
 Protection class
 IP65 with connector fitted
 IP00 without connector
 Continuous service ED100%

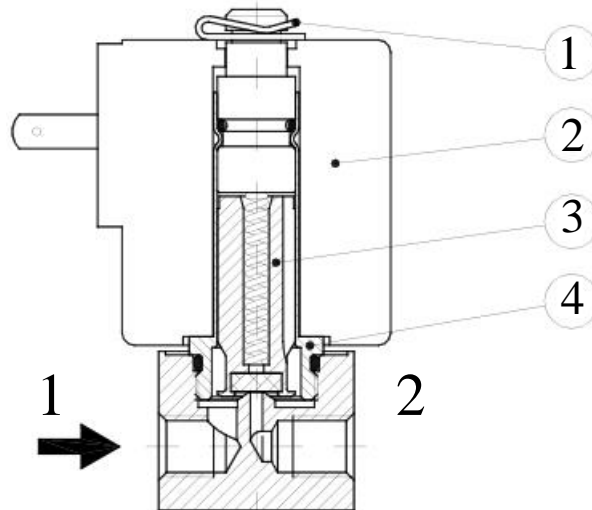
OPTIONS
 Cable attached
 Special coil voltages
 Special coil powers



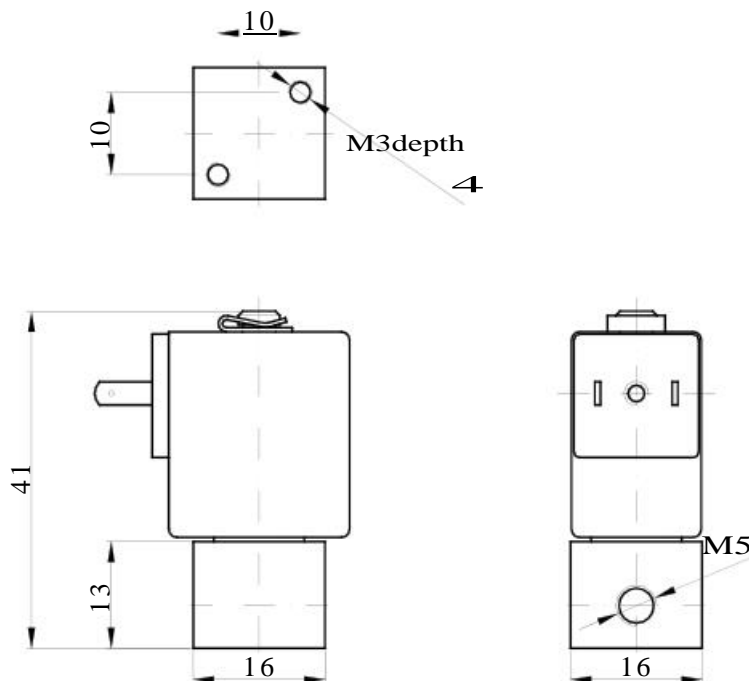
Series 6 Weight 0.02Kg

SPARE PARTS LIST

- 1. Coil fixing nut
- 2. Coil
- 3. Plunger
- 4. Armature tube with core



OVERALL DIMENSION



Weight=0.05 Kg