



DESCRIPTION

Solenoid valve 2 way normally closed direct acting poppet type, suitable for food application and all compatible fluids.

CONSTRUCTION

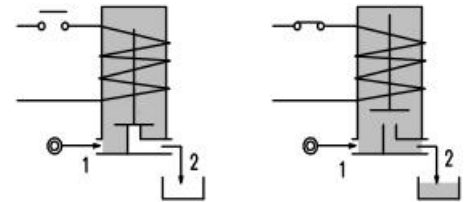
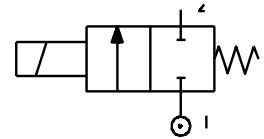
Body	Thermoplastic polymer: NSF, WRC, KTW, FDA certified
Armature tube	Brass chemically nickel plated
Plunger and core	Stainless steel
Springs	Stainless steel
Seal material	NBR food contact certified FPM food contact certified EPDM food contact certified



2

FEATURES

Maximum allowable pressure 30 bar*
 Maximum fluid viscosity 25cSt (mm²/s)
 Ambient temperature : with class F coil -10°C +55°C
 with class H coil -10°C +80°C
 Universal mounting position



OPTIONS : Stainless steel armature tube
 Type N connection without nut

CONNECTIONS					
K	N	P	W	Y	Z
SPIGGOT	G1/8" male thread with NUT for flexible and semiflexible pipes	HOSETAIL for flexible pipes	COMPRESSION for flexible and semiflexible pipes	PUSHIN for semiflexible pipes ext.6	PUSHIN for semiflexible pipes ext.4

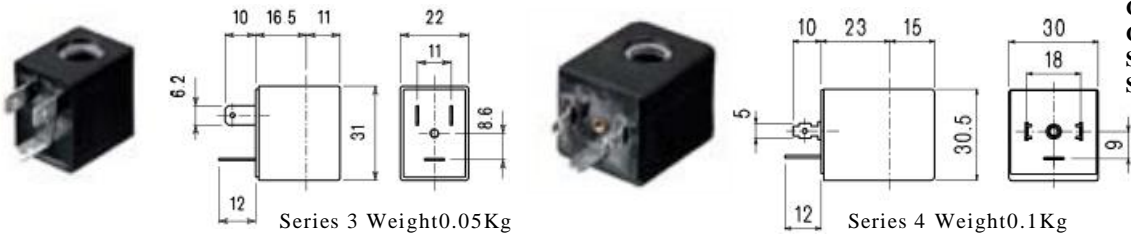
CODE ① ②	Connection *	Orifice mm	KV m ³ /h	Differential pressure bar			Nominal power			Coil		Seal ①	Temp. range °C
				Min	Max		AC Inrush	VA Holding	DC Watt	Series	Width		
					AC	DC							
E135*....15///.....	K-N-P-W-Y-Z	1.5	0.06	0	16	16	12	8	6.5	3	22	NBR=A	-10 +90
E135*....20///.....	K-N-P-W-Y-Z	2	0.09	0	12	10	12	8	6.5	3	22		
E135*....25///.....	K-N-P-W-Y-Z	2.5	0.14	0	8	5.5	12	8	6.5	3	22		
E135*....30///.....	K-N-P-Y	3	0.19	0	4.5	2	12	8	6.5	3	22	EPDM=E	<+140
E135*....40///.....	N-P-Y	4	0.35	0	2.5	1.2	12	8	6.5	3	22		
E135*....20///.....	K-N-P-W-Y-Z	2	0.09	0	25	15	15	11	5	4	30	FPM=V	-10 +130
E135*....25///.....	K-N-P-W-Y-Z	2.5	0.14	0	16	8	15	11	5	4	30		
E135*....30///.....	K-N-P-Y	3	0.19	0	8	4	15	11	5	4	30		
E135*....40///.....	N-P-Y	4	0.35	0	5	2.5	15	11	5	4	30		

① Seal Example: E135KA20///30B NBR seal SPIGGOT connection
 ② Coil Coil 24V 50/60Hz
 ③ Only for connection "W" E135W..../1/....

*REMARK: The maximum allowable pressure PS for steam is 2,5bar (gauge pressure)

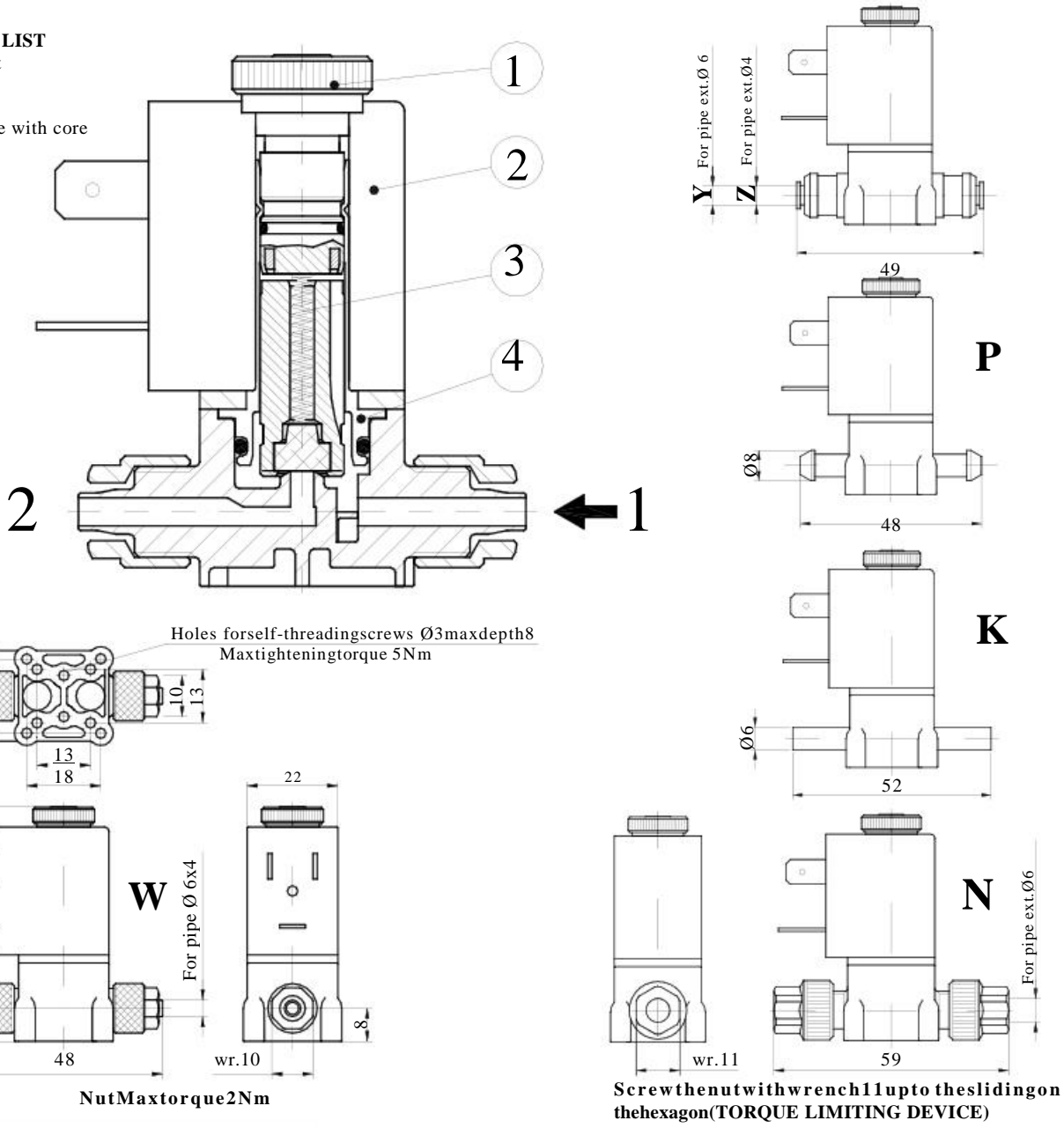


COILS	Alternating Current ~50/60Hz Volt							Direct Current Volt			Electrical connection	Connectors	DESCRIPTION Class F insulation Voltage tolerance AC +15%-10% DC ±10% Protection class IP65 with connector fitted IP00 without connector Continuous service ED100%
	12	24	48	110	220 230	240	380	12	24	48			
Series 3 Width 22 Code ②	30A	30B	30C	30D	30E	30F	30G	300	301	302	DIN46244	PG9 code 10348000	OPTIONS Class H insulation Cable attached Special coil voltages Special coil powers
Series 4 Width 30 Code ②	40A	40B	40C	40D	40E	40F	40G	400	401	402	DIN43650A	PG9 code 10349000	



SPARE PARTS LIST

- 1. Coil fixing nut
- 2. Coil
- 3. Plunger
- 4. Armature tube with core



Weight with coil series 3 = 0.10 Kg
 Weight with coil series 4 = 0.15 Kg