



**DESCRIPTION**

Solenoid valve 2 way normally closed  
 direct acting with dry armature.  
 No metal parts in contact with the media.

**CONSTRUCTION**

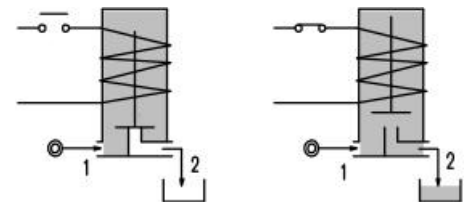
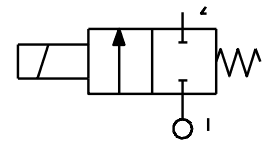
Body	Acetal copolymer
Armature tube	Brass
Plunger and core	Stainless steel
Springs	Stainless steel
Seal material	Silicone



2

**FEATURES**

Maximum allowable pressure 2 bar  
 Maximum fluid viscosity 25cSt (mm<sup>2</sup>/s)  
 Ambient temperature : with class F coil -10°C +55°C  
 with class H coil -10°C +80°C  
 Preferred mounting position with vertical coil above.



**Versions with closed vent**

CODE ②	Connection G ISO 228	Orifice mm	KV m <sup>3</sup> /h	Differential pressure bar			Nominal power			Coil		Seal	Temp. range °C
				Min	Max		AC Inrush	VA Holding	DC Watt	Series	Width		
					AC	DC							
E150PS75///.....	-	7.5	0.7	0	0.2	0.2	12	8	6.5	3	22	SILICONE=S	<+95
E150PS75/6/.....	1/4"	7.5	0.7	0	0.2	0.2	12	8	6.5	3	22		
D150PS75///.....	-	7.5	0.7	0	-	0.2	12	8	6.5	3	22		
D150PS75/5/.....	1/4"	7.5	0.7	0	-	0.2	12	8	6.5	3	22		

**Versions with open vent**

CODE ②	Connection G ISO 228	Orifice mm	KV m <sup>3</sup> /h	Differential pressure bar			Nominal power			Coil		Seal	Temp. range °C
				Min	Max		AC Inrush	VA Holding	DC Watt	Series	Width		
					AC	DC							
E150PS75/7/.....	-	7.5	0.7	0	0.2	0.2	12	8	6.5	3	22	SILICONE=S	<+95
E150PS75/1/.....	1/4"	7.5	0.7	0	0.2	0.2	12	8	6.5	3	22		
D150PS75/4/.....	-	7.5	0.7	0	-	0.2	12	8	6.5	3	22		
D150PS75/3/.....	1/4"	7.5	0.7	0	-	0.2	12	8	6.5	3	22		

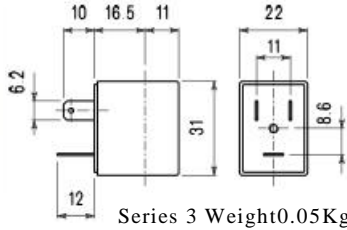
② Coil

Example: E150PS75///30E Fixing by flange – Closed vent  
 Coil 220V 50/60Hz



COILS	Alternating Current ~50/60Hz Volt							Direct Current Volt			Electrical Connection	Connectors
	12	24	48	110	220 230	240	380	12	24	48		
Series 3 Width 22 Code ②	30A	30B	30C	30D	30E	30F	30G	300	301	302	DIN46244	PG9 code 10348000

**DESCRIPTION**  
 Class F insulation  
 Voltage tolerance  
 AC +15%-10%  
 DC ±10%  
 Protection class  
 IP65 with connector fitted  
 IP00 without connector  
 Continuous service ED100%

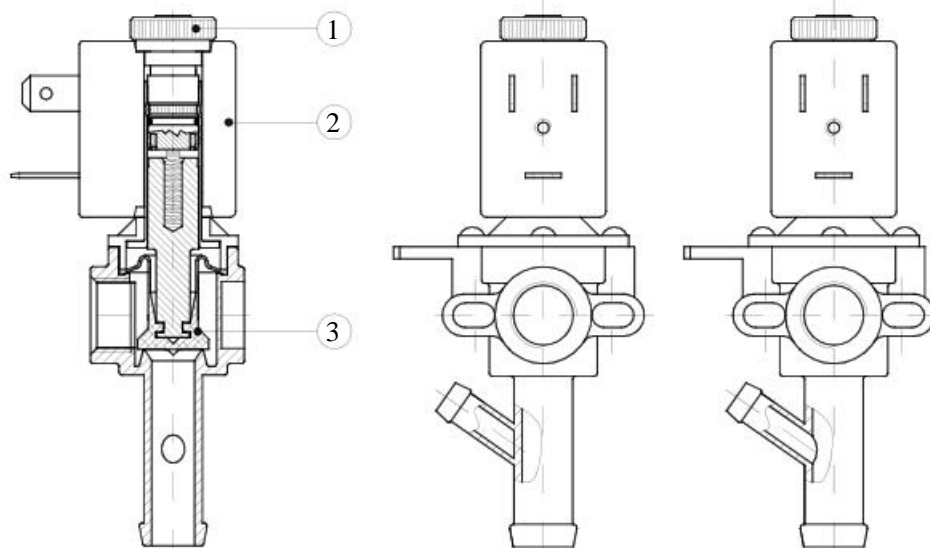


Series 3 Weight 0.05Kg

**OPTIONS**  
 Class H insulation  
 Cable attached  
 Special coil voltages  
 Special coil powers

**SPARE PARTS LIST**

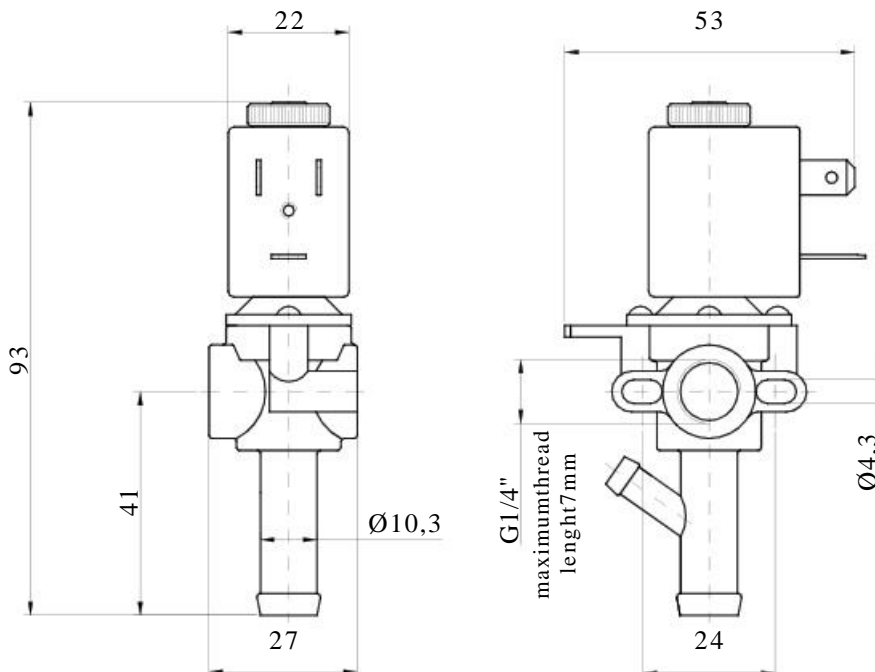
- 1. Coil fixing nut
- 2. Coil
- 3. Diaphragm



Version with closed vent

Version with open vent

**OVERALL DIMENSION**



Weight = 0.1 Kg