



DESCRIPTION

Solenoid valve 2 way normally closed in stainless steel AISI 316 with servoassisted diaphragm

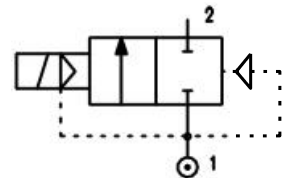
CONSTRUCTION

Body and cover	Stainless steel
Armature tube	Stainless steel
Plunger and core	Stainless steel
Springs	Stainless steel
Seal material	NBR
	FPM
	EPDM



FEATURES

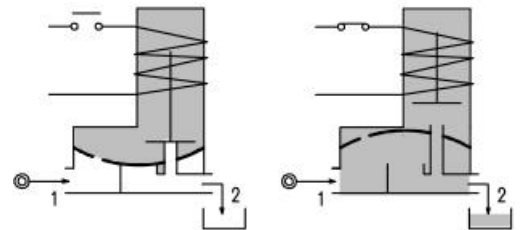
- Minimum differential pressure 0.15 bar
- Maximum allowable pressure 25 bar*
- Maximum fluid viscosity 25cSt (mm²/s)
- Ambient temperature : with class F coil -10°C +55°C
with class H coil -10°C +80°C
- Preferred mounting position with vertical coil above



4

OPTIONS :

- Manual override
- Explosion proof coil according to ATEX - EExmII Series 7
- Food approval seal material
- Version with slow closing diaphragm
- Version for use with oxygen
- Silver shading ring



CODE ① ②	Connection G ISO 228	Orifice mm	KV m ³ /h	Differential pressure bar			Nominal power			Coil		Seal ①	Temp. range °C
				Min	Max		AC Inrush	VA Holding	DC Watt	Series	Width		
					AC	DC							
E177C.....12///.....	3/8"	12	2.2	0.15	15	15	12	8	6.5	3	22	NBR=B EPDM=E FPM=V	-10+90
E177D.....12///.....	1/2"	12	2.5	0.15	15	15	12	8	6.5	3	22		<+140
E177E.....18///.....	3/4"	18	5.5	0.15	13	13	12	8	6.5	3	22		-10+130
E177F.....25///.....	1"	24	10.2	0.15	10	10	12	8	6.5	3	22		

- ① Seal
- ② Coil

Example: E177DV12///301 FPM seal
Coil 24V DC

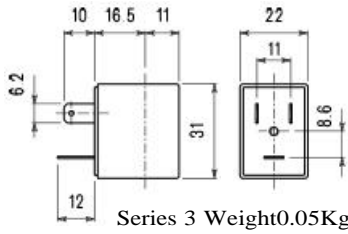
*REMARK: The maximum allowable pressure PS for steam is 2,5bar (gauge pressure)



COIL	Alternating Current ~50/60Hz Volt							Direct Current Volt			Electrical connection	Connectors
	12	24	48	110	220 230	240	380	12	24	48		
Series 3 Width 22 Code ②	30A	30B	30C	30D	30E	30F	30G	300	301	302	DIN46244	PG9 code 10348000

DESCRIPTION
 Class F insulation
 Voltage tolerance
 AC +15%-10%
 DC ±10%
 Protection class
 IP65 with connector fitted
 IP00 without connector
 Continuous service ED100%

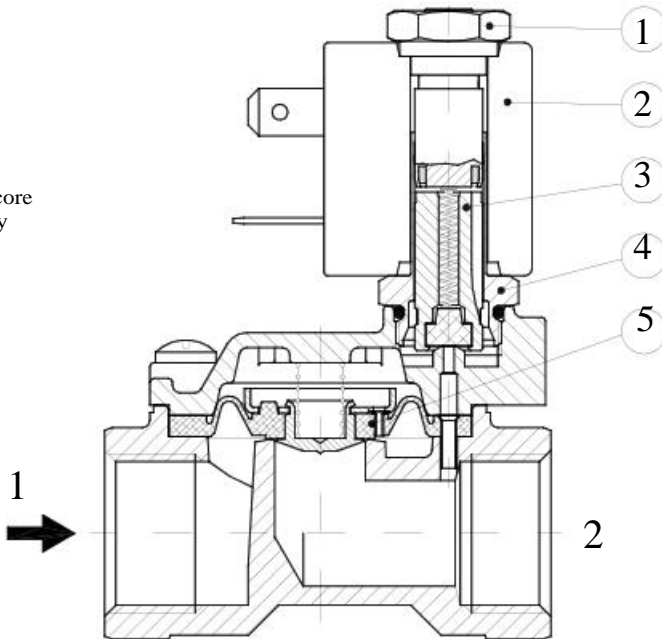
OPTIONS
 Class H insulation
 Cable attached
 Special coil powers
 Special coil voltages



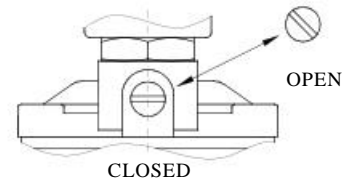
Series 3 Weight 0.05Kg

SPARE PARTS LIST

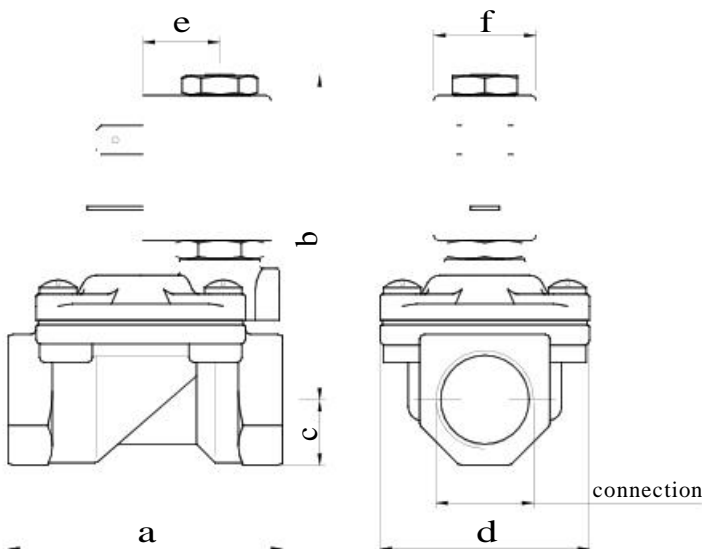
1. Coil fixing nut
2. Coil
3. Plunger
4. Armature tube with core
5. Diaphragm assembly



MANUAL OVERRIDE



OVERALL DIMENSION



CONNECTION	a	b	c	d	Weight Kg
G3/8" 12	59	70	11	45	0.31
G1/2"	59	70	13	45	0.32
G3/4"	79	74	18	54	0.75
G1"	96	85	20	72	1.35