



**DESCRIPTION**

Solenoid valve in-line 2 way normally open direct acting poppet type

**CONSTRUCTION**

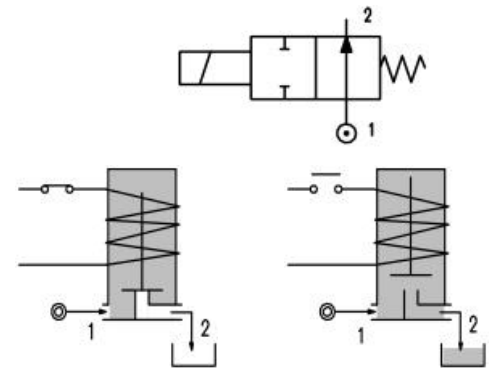
Body	Brass
Armature tube	Stainless steel
Plunger and core	Stainless steel
Springs	Stainless steel
Seal material	NBR
	FPM
	EPDM



2

**FEATURES**

Maximum allowable pressure 50 bar  
 Maximum fluid viscosity 25cSt (mm<sup>2</sup>/s)  
 Ambient temperature : with class F coil -10°C +55°C  
 with class H coil -10°C +80°C  
 Universal mounting position



**OPTIONS :** Electroless nickel plating

CODE ① ②	Connection G ISO 228	Orifice mm	KV m <sup>3</sup> /h	Differential pressure bar			Nominal power			Coil		Seal ①	Temp. range °C
				Min	Max		AC Inrush	VA Holding	DC Watt	Series	Width		
					AC	DC							
E203A.....20///.....	1/8"	2	0.1	0	16	16	20	15	10	2	30	NBR=B	-10+90
E203A.....25///.....	1/8"	2.5	0.14	0	13	13	20	15	10	2	30	EPDM=E	<+140
E203A.....29///.....	1/8"	2.9	0.17	0	10	10	20	15	10	2	30	FPM=V	-10+130

- ① Seal
- ② Coil

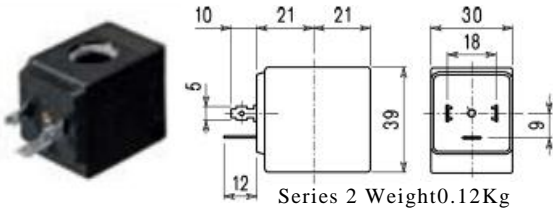
Example: E203AV25///20E FPM seal  
 Coil 220V 50/60Hz



COILS	Alternating Current ~50/60Hz Volt							Direct Current Volt			Electrical connection	Connectors
	12	24	48	110	220 230	240	380	12	24	48		
Series 2 Width30 Code ②	20A	20B	20C	20D	20E	20F	20G	200	201	202	DIN43650A	PG9 code 10349000

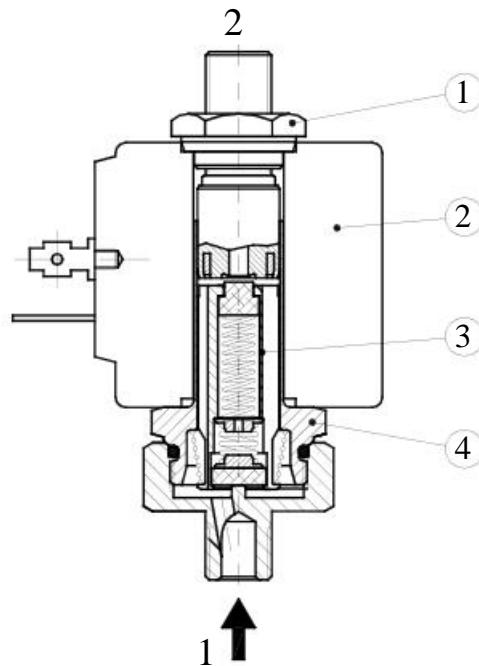
**DESCRIPTION**  
 Class F insulation  
 Voltage tolerance  
 AC +15%-10%  
 DC ±10%  
 Protection class  
 IP65 with connector fitted  
 IP00 without connector  
 Continuous service ED100%

**OPTIONS**  
 Class H insulation  
 Cable attached  
 Special coil voltages  
 Special coil powers

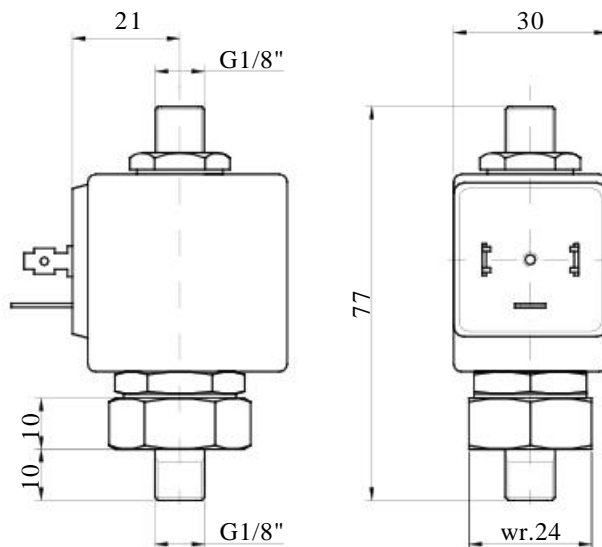


**SPARE PARTS LIST**

- 1. Coil fixing nut
- 2. Coil
- 3. Plunger
- 4. Armature tube with core



**OVERALL DIMENSION**



Weight=0.22 Kg