



DESCRIPTION

Solenoid valve 2 way normally open
direct acting poppet type

CONSTRUCTION

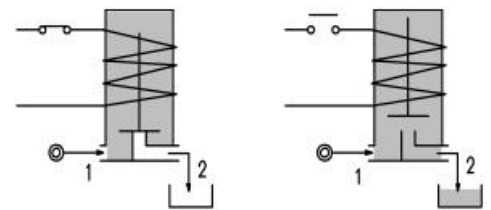
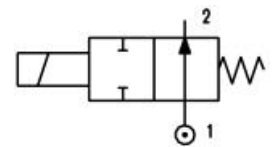
| | |
|------------------|-----------------|
| Body | Stainless steel |
| Armature tube | Stainless steel |
| Plunger and core | Stainless steel |
| Springs | Stainless steel |
| Seal material | NBR |
| | FPM |
| | EPDM |



2

FEATURES

Maximum allowable pressure 50 bar*
Maximum fluid viscosity 25cSt (mm²/s)
Ambient temperature : with class F coil -10°C +55°C
with class H coil -10°C +80°C
Universal mounting position



OPTIONS : Silver shading ring

| CODE ① ② | Connection G ISO 228 | Orifice mm | KV m ³ /h | Differential pressure bar | | | Nominal power | | | Coil | | Seal ① | Temp. range °C |
|---------------------|----------------------------|---------------|-------------------------|------------------------------|-----|------------------|---------------|---------------|------------|--------|-------|-----------|----------------------|
| | | | | Min | Max | | AC Inrush | VA Holding | DC Watt | Series | Width | | |
| | | | | | AC | DC | | | | | | | |
| E210B.....20//..... | 1/4" | 2 | 0.1 | 0 | 17 | 17 | 20 | 15 | 10 | 2 | 30 | NBR=B | -10+90 |
| E210B.....25//..... | 1/4" | 2.5 | 0.15 | 0 | 12 | 12 | 20 | 15 | 10 | 2 | 30 | | |
| E210B.....35//..... | 1/4" | 3.5 | 0.32 | 0 | 7 | 4 ^③ | 20 | 15 | 10 | 2 | 30 | | |
| E210B.....45//..... | 1/4" | 4.5 | 0.41 | 0 | 4.5 | 3 ^③ | 20 | 15 | 10 | 2 | 30 | | |
| E210B.....52//..... | 1/4" | 5.2 | 0.47 | 0 | 3 | 2.2 ^③ | 20 | 15 | 10 | 2 | 30 | | |
| E210C.....20//..... | 3/8" | 2 | 0.1 | 0 | 17 | 17 | 20 | 15 | 10 | 2 | 30 | EPDM=E | <+140 |
| E210C.....35//..... | 3/8" | 3.5 | 0.32 | 0 | 7 | 4 ^③ | 20 | 15 | 10 | 2 | 30 | | |
| E210C.....52//..... | 3/8" | 5.2 | 0.47 | 0 | 3 | 2.2 ^③ | 20 | 15 | 10 | 2 | 30 | | |
| E210C.....64//..... | 3/8" | 6.4 | 0.64 | 0 | 3.5 | 3.5 | 40 | 30 | 27 | 5 | 36 | FPM=V | -10+130 |
| E210D.....20//..... | 1/2" | 2 | 0.1 | 0 | 17 | 17 | 20 | 15 | 10 | 2 | 30 | | |
| E210D.....35//..... | 1/2" | 3.5 | 0.32 | 0 | 7 | 4 ^③ | 20 | 15 | 10 | 2 | 30 | | |
| E210D.....52//..... | 1/2" | 5.2 | 0.47 | 0 | 3 | 2.2 ^③ | 20 | 15 | 10 | 2 | 30 | | |
| E210D.....64//..... | 1/2" | 6.4 | 0.64 | 0 | 3.5 | 3.5 | 40 | 30 | 27 | 5 | 36 | | |

- ① Seal
- ② Coil

Example: E210BB52///20B NBR seal
Coil 24V 50/60Hz

③ Only for the DC on the orifices Ø 3,5- 4- 4,5- 5,2 the code is D210...../3/....

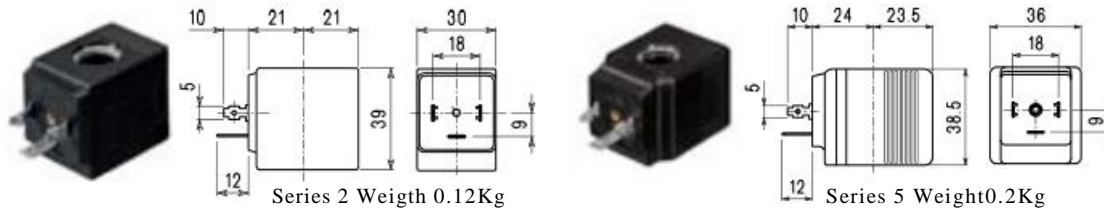
*REMARK: The maximum allowable pressure PS for steam is 2,5bar (gauge pressure)



| COILS | Alternating Current ~50/60Hz Volt | | | | | | | Direct Current Volt | | | Electrical connection | Connectors |
|--------------------------------|--------------------------------------|-----|-----|-----|------------|-----|-----|------------------------|-----|-----|-----------------------|--------------------------|
| | 12 | 24 | 48 | 110 | 220 230 | 240 | 380 | 12 | 24 | 48 | | |
| Series 2 Width 30 Code ② | 20A | 20B | 20C | 20D | 20E | 20F | 20G | 200 | 201 | 202 | DIN43650A | PG9 code 10349000 |
| Series 5 Width 36 Code ② | 52A | 52B | 52C | 52D | 52E | 52F | 52G | 521 | 521 | 522 | DIN43650A | PG11 code 10349001 |

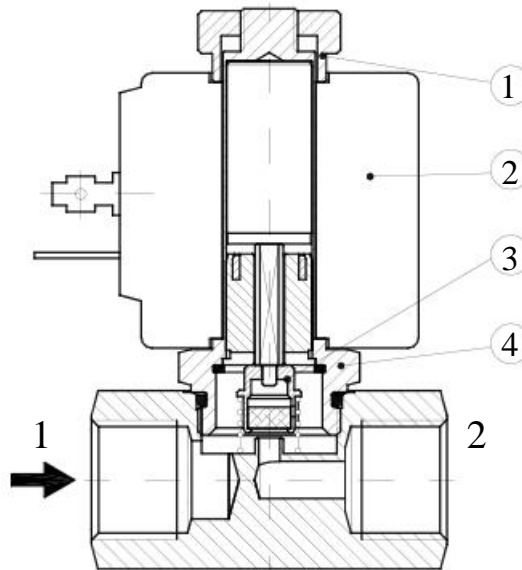
DESCRIPTION
 Insulation class
 Series 2=F Series 5=H
 Voltage tolerance
 AC +15%-10%
 DC ±10%
 Protection class
 IP65 with connector fitted
 IP00 without connector
 Continuous service ED100%

OPTIONS
 Class insulation (series 2)
 Cable attached
 Special coil voltages
 Special coil powers

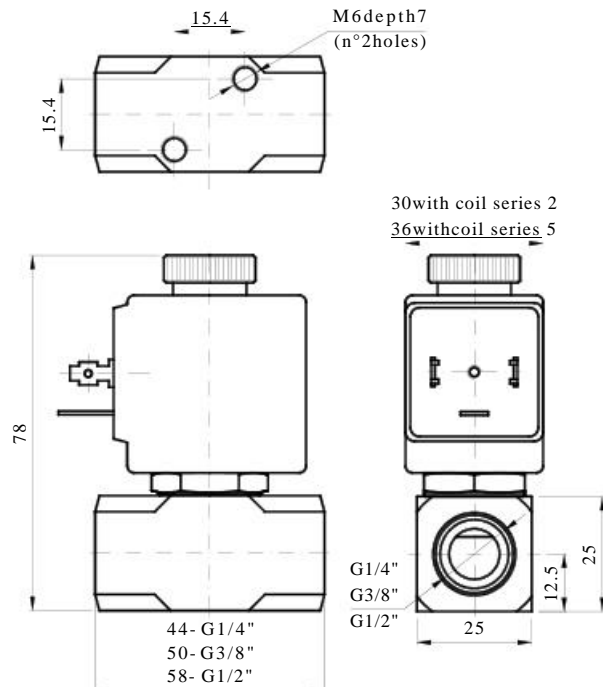


SPARE PARTS LIST

- 1. Coil fixing nut
- 2. Coil
- 3. Seal assembly
- 4. Armature tube



OVERALL DIMENSION



Weight with coil series 2 = 0.30 Kg
 Weight with coil series 5 = 0.38 Kg