



**DESCRIPTION**

Solenoid valve 2 way normally open direct acting poppet type, suitable for food application and all compatible fluids.

**CONSTRUCTION**

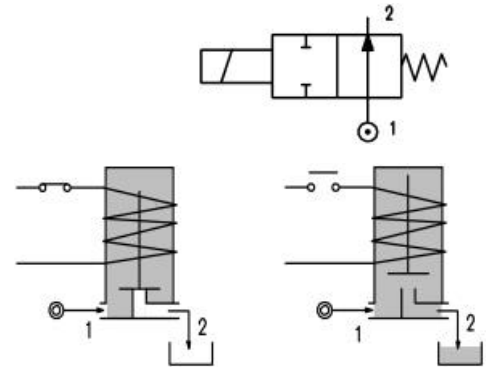
|                  |   |
|------------------|---|
| Body             | Thermoplastic polymer:<br>NSF, WRC, KTW, FDA certified                                  |
| Armature tube    | Brass chemically nickel plated  |
| Plunger and core | Stainless steel   |
| Springs          | Stainless steel   |
| Seal material    | NBR food contact certified<br>FPM food contact certified<br>EPDM food contact certified |



2

**FEATURES**

- Maximum allowable pressure 20 bar\*
- Maximum fluid viscosity 25cSt (mm<sup>2</sup>/s)
- Ambient temperature : with class F coil -10°C +55°C  
with class H coil -10°C +80°C
- Universal mounting position



**OPTIONS :** Stainless steel armature tube  
Type N connection without nut

| CONNECTIONS   |  |                                    |  |  |  |
|---------------|--|------------------------------------|--|--|--|
| K             | N  | P                                  | W ③  | Y  | Z  |
|               |  |                                    |  |  |  |
| <b>SPIGOT</b> | G1/8" male thread with NUT for flexible and semiflexible pipes | <b>HOSETAIL</b> for flexible pipes | <b>COMPRESSION</b> for flexible and semiflexible pipes | <b>PUSHIN</b> for semiflexible pipes ext.6 | <b>PUSHIN</b> for semiflexible pipes ext.4 |

| CODE<br>① ②          | Connection<br>* | Orifice<br>mm | KV<br>m <sup>3</sup> /h | Differential pressure<br>bar |     |     | Nominal power |               |            | Coil   |       | Seal<br>① | Temperature<br>range<br>°C |
|----------------------|-----------------|---------------|-------------------------|------------------------------|-----|-----|---------------|---------------|------------|--------|-------|-----------|----------------------------|
|                      |                 |               |                         | Min                          | Max |     | AC<br>Inrush  | VA<br>Holding | DC<br>Watt | Series | Width |           |                            |
|                      |                 |               |                         |                              | AC  | DC  |               |               |            |        |       |           |                            |
| E235*.....15///..... | K-N-P-W-Y-Z     | 1.5           | 0.06                    | 0                            | 14  | 14  | 12            | 8             | 6.5        | 3      | 22    | NBR=A     | -10 +90                    |
| E235*.....20///..... | K-N-P-W-Y-Z     | 2             | 0.09                    | 0                            | 8   | 8   | 12            | 8             | 6.5        | 3      | 22    | EPDM=E    | <+140                      |
| E235*.....25///..... | K-N-P-W-Y-Z     | 2.5           | 0.14                    | 0                            | 4.5 | 4.5 | 12            | 8             | 6.5        | 3      | 22    | FPM=V     | -10 +130                   |

- ① Seal Example: E235PV20///30E FPM seal HOSETAIL connection
- ② Coil Coil 230V 50/60Hz
- ③ Only for connection "W" E235W..../1/....

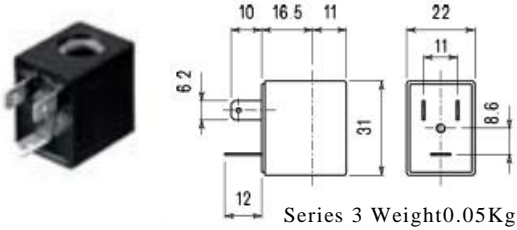
\*REMARK: The maximum allowable pressure PS for steam is 2,5bar (gauge pressure)



| COILS                          | Alternating Current<br>~50/60Hz Volt |     |     |     |            |     |     | Direct Current<br>Volt |     |     | Electrical<br>connection | Connectors              |
|--------------------------------|--------------------------------------|-----|-----|-----|------------|-----|-----|------------------------|-----|-----|--------------------------|-------------------------|
|                                | 12                                   | 24  | 48  | 110 | 220<br>230 | 240 | 380 | 12                     | 24  | 48  |                          |                         |
| Series 3<br>Width 22<br>Code ② | 30A                                  | 30B | 30C | 30D | 30E        | 30F | 30G | 300                    | 301 | 302 | DIN46244                 | PG9<br>code<br>10348000 |

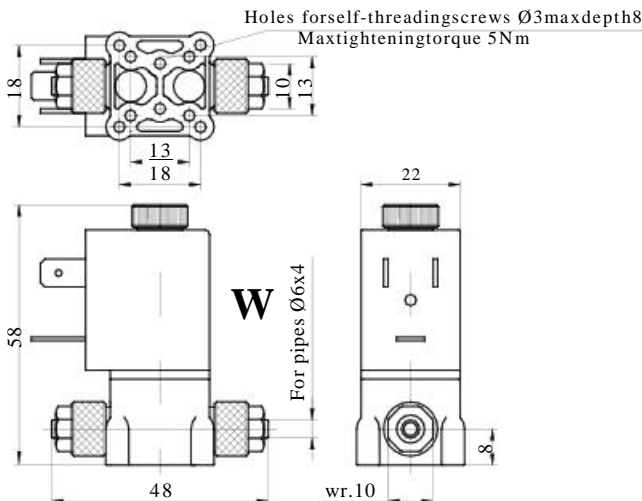
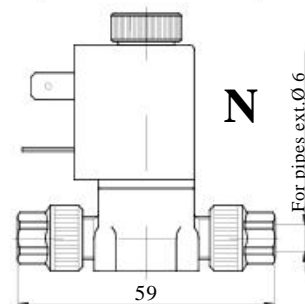
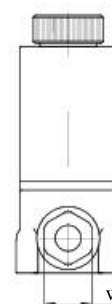
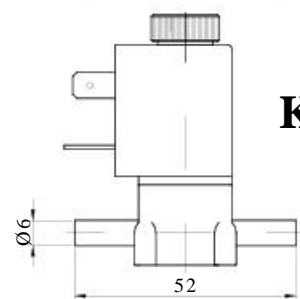
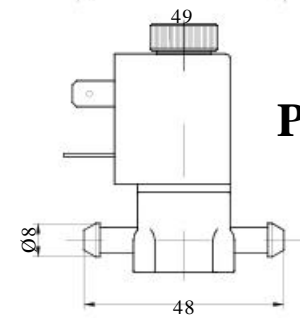
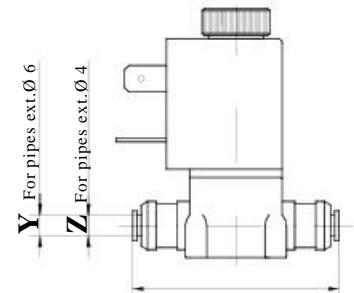
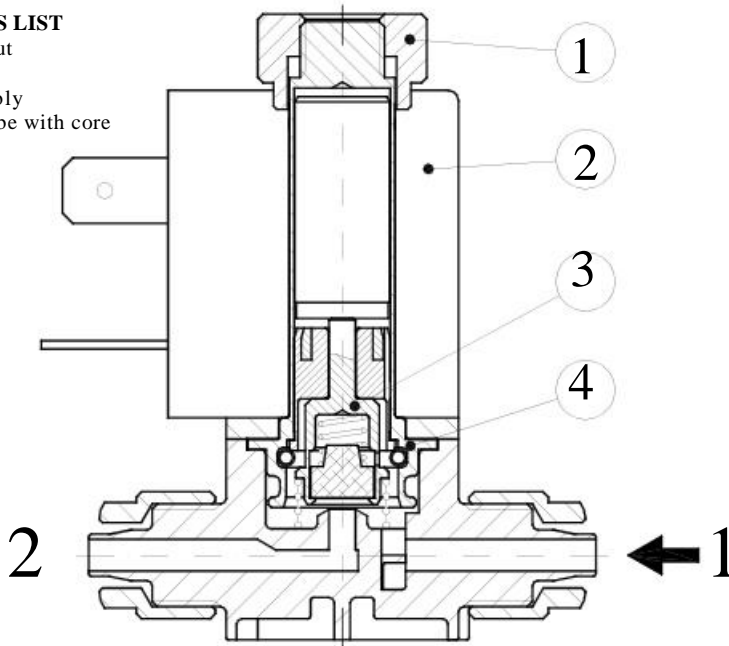
**DESCRIPTION**  
 Class F insulation  
 Voltage tolerance  
 AC +15%-10%  
 DC ±10%  
 Protection class  
 IP65 with connector fitted  
 IP00 without connector  
 Continuous service ED100%

**OPTIONS**  
 Class H insulation  
 Cable attached  
 Special coil voltages  
 Special coil powers



**SPARE PARTS LIST**

1. Coil fixing nut
2. Coil
3. Seal assembly
4. Armature tube with core



Nut Max torque 2 Nm

Screw the nut with wrench 11 up to the sliding on the hexagon (TORQUE LIMITING DEVICE)

Weight=0.10 Kg