



**DESCRIPTION**

Solenoid valve 2 way normally open in stainless steel AISI 316 with servoassisted diaphragm

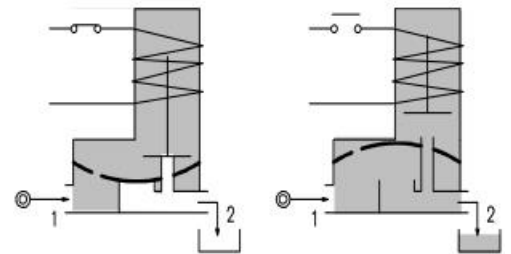
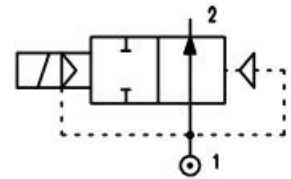
**CONSTRUCTION**

Body and cover	Stainless steel
Armature tube	Stainless steel
Plunger and core	Stainless steel
Springs	Stainless steel
Seal material	NBR
	FPM
	EPDM



**FEATURES**

- Minimum differential pressure 0.15 bar
- Maximum allowable pressure 25 bar\*
- Maximum fluid viscosity 25 cSt (mm<sup>2</sup>/s)
- Ambient temperature : with class F coil -10°C +55°C  
with class H coil -10°C +80°C
- Preferred mounting position with vertical coil above



4

- OPTIONS :** Explosion proof coil according to ATEX - EExmII Series 7  
Food approval seal material  
Silver shading ring

CODE ① ②	Connection G ISO 228	Orifice mm	KV m <sup>3</sup> /h	Differential pressure bar			Nominal power			Coil		Seal ①	Temp. range °C
				Min	Max		AC Inrush	VA Holding	DC Watt	Series	Width		
					AC	DC							
E277C.....12///.....	3/8"	12	2.2	0.15	15	15	12	8	6.5	3	22	NBR=B EPDM=E FPM=V	-10+90 <+140 -10+130
E277D.....12///.....	1/2"	12	2.5	0.15	15	15	12	8	6.5	3	22		
E277E.....18///.....	3/4"	18	5.5	0.15	13	13	12	8	6.5	3	22		
E277F.....25///.....	1"	24	10.2	0.15	10	10	12	8	6.5	3	22		

- ① Seal
- ② Coil

Example: E277DB12///301 NBR seal  
Coil 24V DC

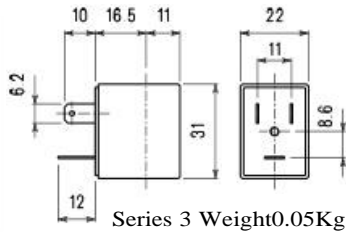
\*REMARK: The maximum allowable pressure PS for steam is 2,5bar (gauge pressure)



COIL	Alternating Current ~50/60Hz Volt							Direct Current Volt			Electrical connection	Connectors
	12	24	48	110	220 230	240	380	12	24	48		
Series 3 Width 22 Code ②	30A	30B	30C	30D	30E	30F	30G	300	301	302	DIN46244	PG9 code 10348000

**DESCRIPTION**  
 Class F insulation  
 Voltage tolerance  
 AC +15%-10%  
 DC ±10%  
 Protection class  
 IP65 with connector fitted  
 IP00 without connector  
 Continuous service ED100%

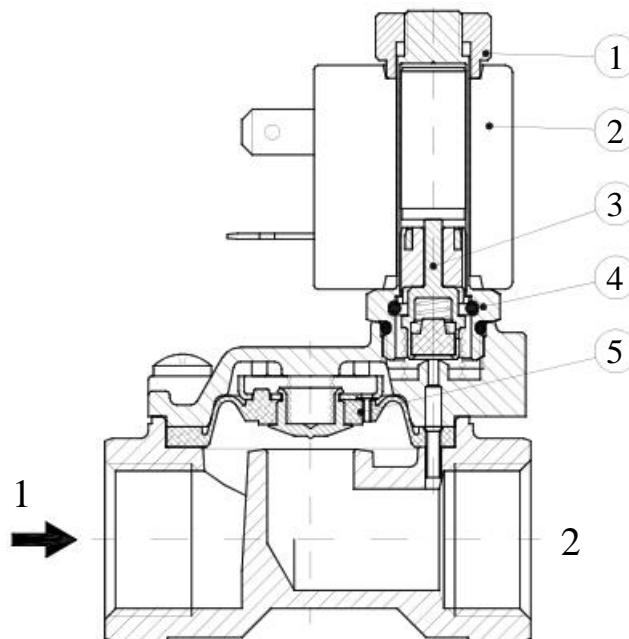
**OPTIONS**  
 Class H insulation  
 Cable attached  
 Special coil powers  
 Special coil voltages



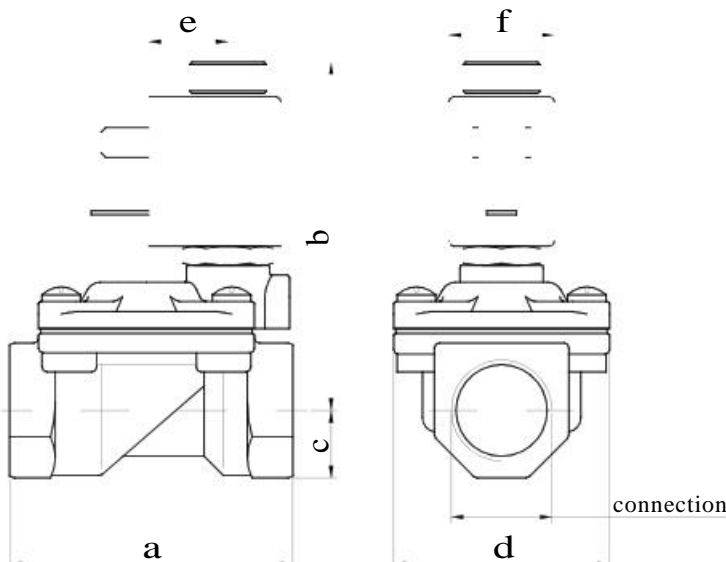
Series 3 Weight 0.05Kg

**SPARE PARTS LIST**

1. Coil fixing nut
2. Coil
3. Seal assembly
4. Armature tube with core
5. Diaphragm assembly



**OVERALL DIMENSION**



CONNECTION	a	b	c	d	Weight Kg
G3/8" 12	59	73	11	45	0.31
G1/2"	59	73	13	45	0.32
G3/4"	79	75	18	55	0.75
G1"	96	85	20	72	1.35