

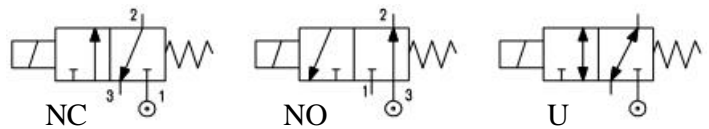


DESCRIPTION

Solenoid valve 3 way
directactingpoppettype

CONSTRUCTION

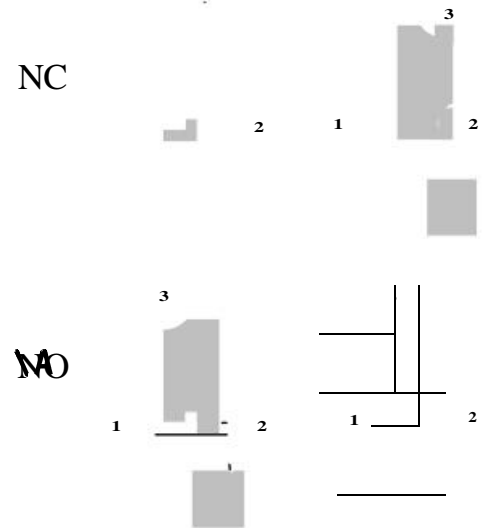
Body	Brass
Armature tube	Brass
Plungerand core	Stainless steel
Springs	Stainless steel
Seal material	NBR
	FPM
	EPDM



FEATURES

Maximumallowable pressure : maximumdifferential pressure+10%
 Maximumfluid viscosity25cSt(mm²/s)
 Ambienttemperature : with class F coil -10°C +55°C
 with class H coil -10°C +80°C
 Universal mountingposition

OPTIONS : Manual override
 Stainless steel armature tube
 Electroless nickel plating
 Explosion proof coil according to ATEX - EExmII Series7
 Exhaustportwith hosetail connection



3

CODE ① ②	Connection G ISO 228	Orifice mm		KV m ³ /h	Differential pressure bar				Nominal power			Coil		Seal ①	Temp. range °C
		Inlet	Exh.		Min	Max		AC Inrush	VA Holding	DC Watt	Series	Width			
						AC	DC								
NC Normallyclosed															
E305A.....12///.....	1/8"	1.2	1.5	0.04	0	15	15	12	8	6.5	3	22	NBR=B	-10+90	
E305A.....15///.....	1/8"	1.5	1.5	0.06	0	10	10	12	8	6.5	3	22			
E305A.....20///.....	1/8"	2	1.7	0.09	0	6	6	12	8	6.5	3	22			
NO Normallyopen															
E305A.....15/S/.....	1/8"	1.5	1.5	0.06	0	10	10	12	8	6.5	3	22	EPDM=E	<+140	
E305A.....17/S/.....	1/8"	1.7	2	0.07	0	6	6	12	8	6.5	3	22			
U Universal															
E305A.....15/G/.....	1/8"	1.5	1.5	0.06	0	6	6	12	8	6.5	3	22	FPM=V	-10+130	

- ① Seal
- ② Coil

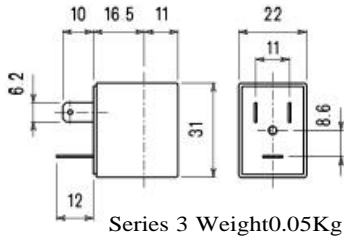
Example: E305AV15///30B FPM seal Coil 24V 50/60Hz NC
 E305AB15/S/301 NBR seal Coil 24V DC NO



COILS	Alternating Current ~50/60Hz Volt							Direct Current Volt			Electrical connection	Connectors
	12	24	48	110	220 230	240	380	12	24	48		
Series 3 Width 22 Code ②	30A	30B	30C	30D	30E	30F	30G	300	301	302	DIN46244	PG9 code 10348000

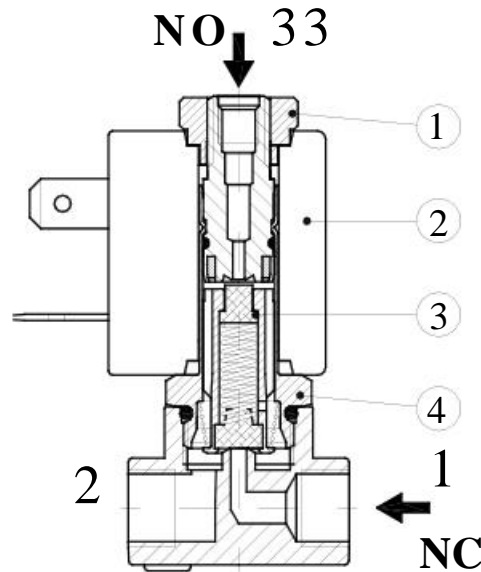
DESCRIPTION
 Class F insulation
 Voltage tolerance
 AC +15%-10%
 DC ±10%
 Protection class
 IP65 with connector fitted
 IP00 without connector
 Continuous service ED100%

OPTIONS
 Class H insulation
 Cable attached
 Special coil voltages
 Special coil powers

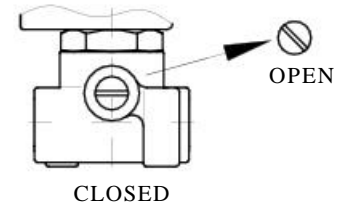


SPARE PARTS LIST

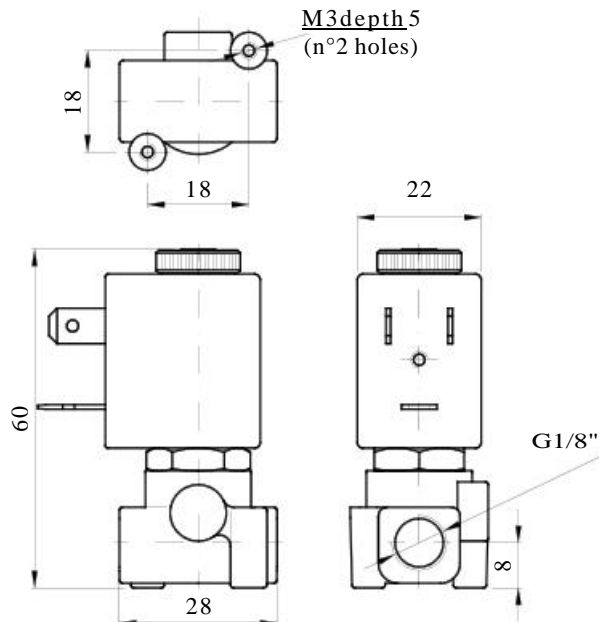
1. Coil fixing nut
2. Coil
3. Plunger
4. Armature tube with core



MANUAL OVERRIDE



OVERALL DIMENSION



Weight = 0.13 Kg