

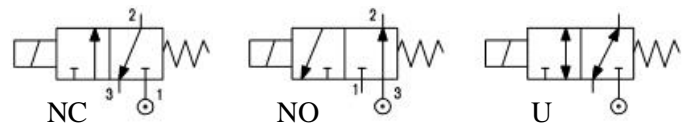


**DESCRIPTION**

Solenoid valve 3 way  
directactingpoppettype

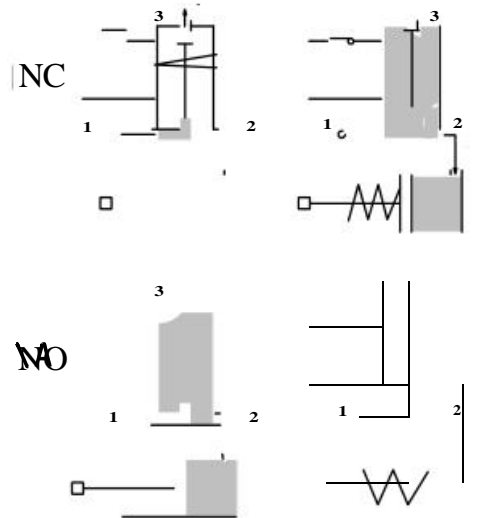
**CONSTRUCTION**

Body	Brass
Armature tube	Stainless steel
Plungerand core	Stainless steel
Springs	Stainless steel
Seal material	NBR
	FPM
	EPDM



**FEATURES**

Maximumallowable pressure : maximumdifferential pressure +10%  
 Maximumfluid viscosity25cSt(mm<sup>2</sup>/s)  
 Ambienttemperature : with class F coil -10°C +55°C  
 with class H coil -10°C +80°C  
 Universal mountingposition



**OPTIONS :** Manual override  
 Electroless nickel plating  
 Stainless steel seat

CODE ① ②	Connection G ISO 228	Orifice mm		KV m <sup>3</sup> /h	Differential pressure bar			Nominal power			Coil		Seal ①	Temp. range °C
		Inlet	Exh.		Min	Max		AC Inrush	VA Holding	DC Watt	Series	Width		
						AC	DC							
<b>NC Normallyclosed</b>														
E306A.....15///.....	1/8"	1.5	2.4	0.07	0	20	20	20	15	10	2	30	NBR=B	-10+90
E306A.....20///.....	1/8"	2	2.4	0.11	0	13	13	20	15	10	2	30		
E306A.....25///.....	1/8"	2.5	2.4	0.16	0	10	10	20	15	10	2	30		
E306B.....15///.....	1/4"	1.5	2.4	0.07	0	20	20	20	15	10	2	30	EPDM=E	<+140
E306B.....20///.....	1/4"	2	2.4	0.11	0	13	13	20	15	10	2	30		
E306B.....25///.....	1/4"	2.5	2.4	0.16	0	10	10	20	15	10	2	30		
<b>NO Normallyopen</b>														
E306B.....24/S/.....	1/4"	2.4	2.5	0.16	0	9	9	20	15	10	2	30	FPM=V	-10+130
E306B.....29/S/.....	1/4"	2.9	3	0.20	0	6.5	6.5	20	15	10	2	30		
<b>U Universal</b>														
E306B.....25/G/.....	1/4"	2.5	2.4	0.16	0	5	4	20	15	10	2	30		

- ① Seal
- ② Coil

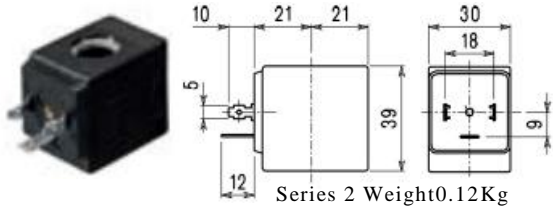
Example: E306BV15///20B FPM seal Coil 24V 50/60Hz NC  
 E306BB24/S/201 NBR seal Coil 24V DC NO



COILS	Alternating Current ~50/60Hz Volt							Direct Current Volt			Electrical connection	Connectors
	12	24	48	110	220 230	240	380	12	24	48		
Series 2 Width30 Code ②	20A	20B	20C	20D	20E	20F	20G	200	201	202	DIN43650A	PG9 code 10349000

**DESCRIPTION**  
 Class F insulation  
 Voltage tolerance  
 AC +15%-10%  
 DC ±10%  
 Protection class  
 IP65 with connector fitted  
 IP00 without connector  
 Continuous service ED100%

**OPTIONS**  
 Class H insulation  
 Cable attached  
 Special coil voltages  
 Special coil powers

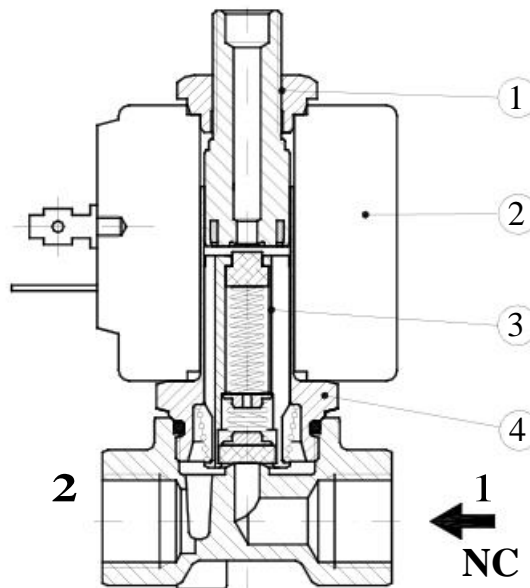


Series 2 Weight 0.12 Kg

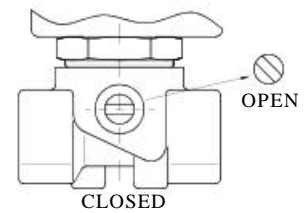
**SPARE PARTS LIST**

1. Coil fixing nut
2. Coil
3. Plunger
4. Armature tube with core

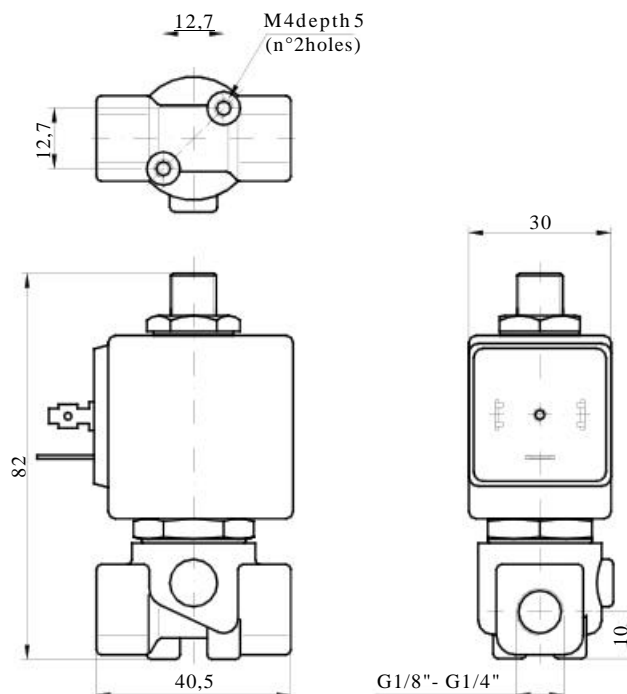
NO ↓ 3



MANUAL OVERRIDE



**OVERALL DIMENSION**



Weight=0.32 Kg