

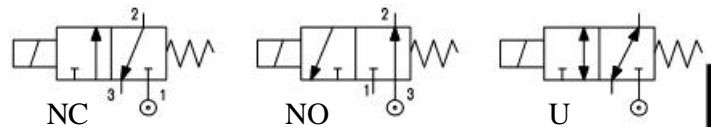


DESCRIPTION

Solenoid valve 3 way
directactingpoppettype

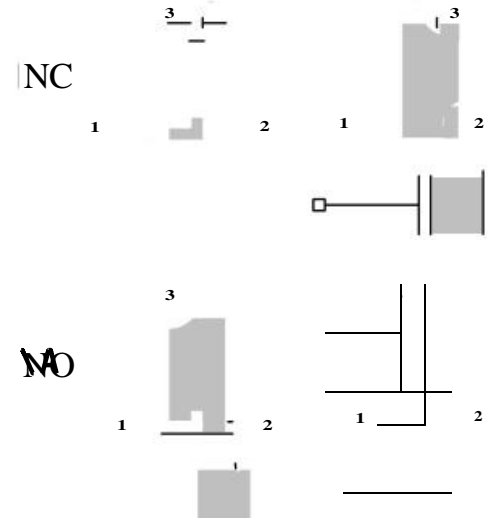
CONSTRUCTION

Body	Stainless steel
Armature tube	Stainless steel
Plungerand core	Stainless steel
Springs	Stainless steel
Seal material	NBR
	FPM
	EPDM



FEATURES

- Maximum allowable pressure : maximum differential pressure + 10%
- Maximum fluid viscosity 25cSt (mm²/s)
- Ambient temperature : with class F coil -10°C +55°C
with class H coil -10°C +80°C
- Universal mounting position



- OPTIONS :** Silvershadingring
Explosion proof coil according to ATEX - EExmII Series 7
Exhaustportwith hosetail connection

CODE ① ②	Connection G ISO 228	Orifice mm		KV m ³ /h	Differential pressure bar			Nominal power			Coil		Seal ①	Temp. range °C
		Inlet	Exh.		Min	Max		AC Inrush	VA Holding	DC Watt	Series	Width		
						AC	DC							
NC Normally closed														
E311A.....12///.....	1/8"	1.2	1.5	0.04	0	15	15	12	8	6.5	3	22	NBR=B	-10+90
E311A.....15///.....	1/8"	1.5	1.5	0.06	0	10	10	12	8	6.5	3	22		
E311A.....20///.....	1/8"	2	1.7	0.09	0	6	6	12	8	6.5	3	22		
NO Normally open														
E311A.....15/S/.....	1/8"	1.5	1.5	0.06	0	10	10	12	8	6.5	3	22	EPDM=E	<+140
E311A.....17/S/.....	1/8"	1.7	2	0.07	0	6	6	12	8	6.5	3	22		
U Universal														
E311A.....15/G/.....	1/8"	1.5	1.5	0.06	0	6	6	12	8	6.5	3	22	FPM=V	-10+130

- ① Seal
- ② Coil

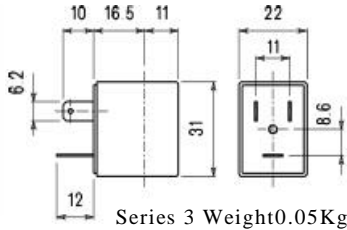
Example: E311AV15///30B FPM seal Coil 24V 50/60Hz NC
E311AB15/S/301 NBR seal Coil 24V DC NO



COIL	Alternating Current ~50/60Hz Volt							Direct Current Volt			Electrical connection	Connectors
	12	24	48	110	220 230	240	380	12	24	48		
Series 3 Width 22 Code ②	30A	30B	30C	30D	30E	30F	30G	300	301	302	DIN46244	PG9 code 10348000

DESCRIPTION
 Class F insulation
 Voltage tolerance
 AC +15%-10%
 DC ±10%
 Protection class
 IP65 with connector fitted
 IP00 without connector
 Continuous service ED100%

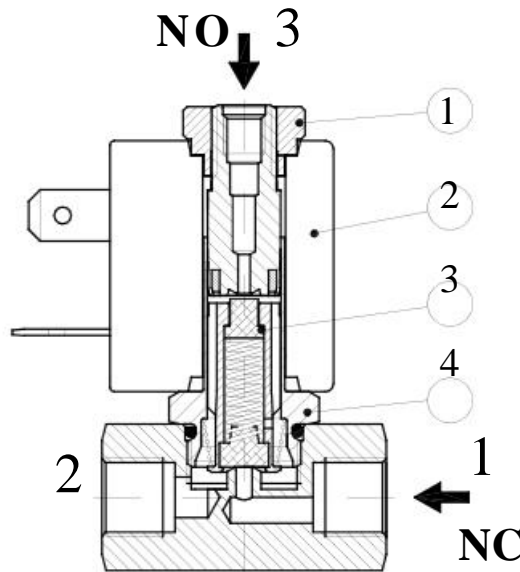
OPTIONS
 Class H insulation
 Cable attached
 Special coil voltages
 Special coil powers



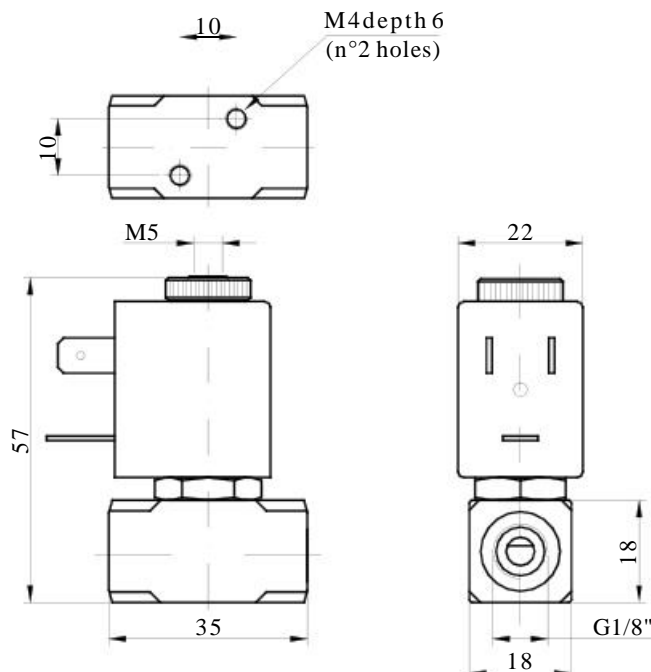
Series 3 Weight 0.05 Kg

SPARE PARTS LIST

1. Coil fixing nut
2. Coil
3. Plunger
4. Armature tube with core



OVERALL DIMENSION



Weight = 0.15 Kg