



**DESCRIPTION**

Solenoid valve 3 way  
directactingpoppettype

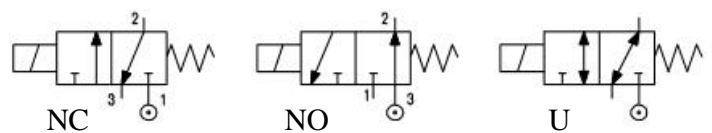
**CONSTRUCTION**

Body	Brass
Armature tube	Brass
Plungerand core	Stainless steel
Springs	Stainless steel
Seal material	NBR
	FPM
	EPDM



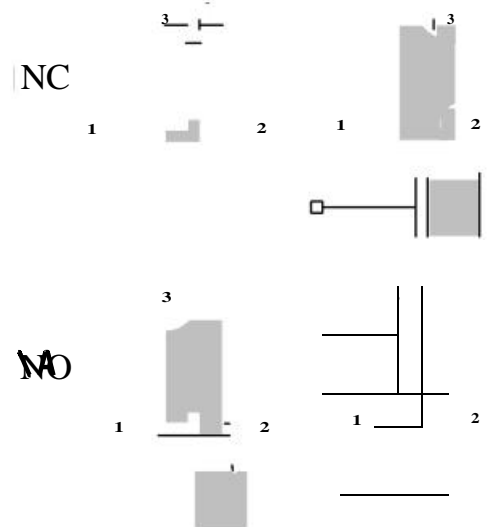
**FEATURES**

Maximumallowable pressure : maximumdifferential pressure + 10%  
 Maximumfluid viscosity25cSt(mm<sup>2</sup>/s)  
 Ambienttemperature : with class F coil -10°C +55°C  
 with class H coil -10°C +80°C  
 Universal mountingposition



**3**

**OPTIONS :** Stainless steel armature tube  
 Electroless nickel plating  
 Explosion proof coil according to ATEX - EExmII Series 7  
 Exhaustportwith hosetail connection



CODE ① ②	Flange	Orifice mm		KV m <sup>3</sup> /h	Differential pressure bar		Nominal powers			Coil		Seal ①	Temp. range °C	
		Inlet	Exh.		Min	Max		AC Inrush	VA Holding	DC Watt	Series			Width
						AC	DC							
<b>NC Normallyclosed</b>													NBR=B	-10+90
E312X.....12///.....	Q 25	1.2	1.5	0.04	0	15	15	12	8	6.5	3	22		
E312X.....15///.....	Q 25	1.5	1.7	0.06	0	10	10	12	8	6.5	3	22		
<b>NO Normallyopen</b>													EPDM=E	<+140
E312X.....15/S/.....	Q 25	1.5	1.5	0.06	0	10	10	12	8	6.5	3	22		
<b>U Universal</b>													FPM=V	-10+130
E312X.....10/G/.....	Q 25	1	1	0.028	0	10	10	12	8	6.5	3	22		

① Seal Example: E312XV15///30B FPM seal Coil 24V 50/60Hz NC  
 ② Coil E312XB15/S/301 NBR seal Coil 24V DC NO

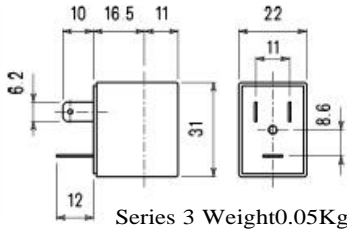
P.S. Solenoidvalve suppliedwithoutfixingscrews



COILS	Alternating Current ~50/60Hz Volt							Direct Current Volt			Electrical connection	Connectors
	12	24	48	110	220 230	240	380	12	24	48		
Series 3 Width 22 Code ②	30A	30B	30C	30D	30E	30F	30G	300	301	302	DIN46244	PG9 code 10348000

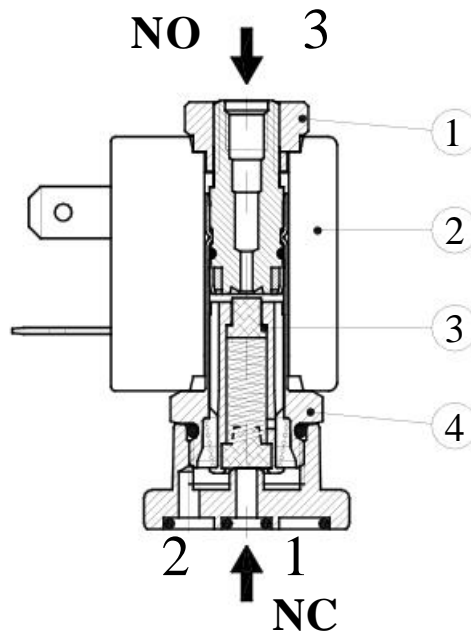
**DESCRIPTION**  
 Class F insulation  
 Voltage tolerance  
 AC +15%-10%  
 DC ±10%  
**Protection class**  
 IP65 with connector fitted  
 IP00 without connector  
 Continuous service ED100%

**OPTIONS**  
 Class H insulation  
 Cable attached  
 Special coil voltages  
 Special coil powers

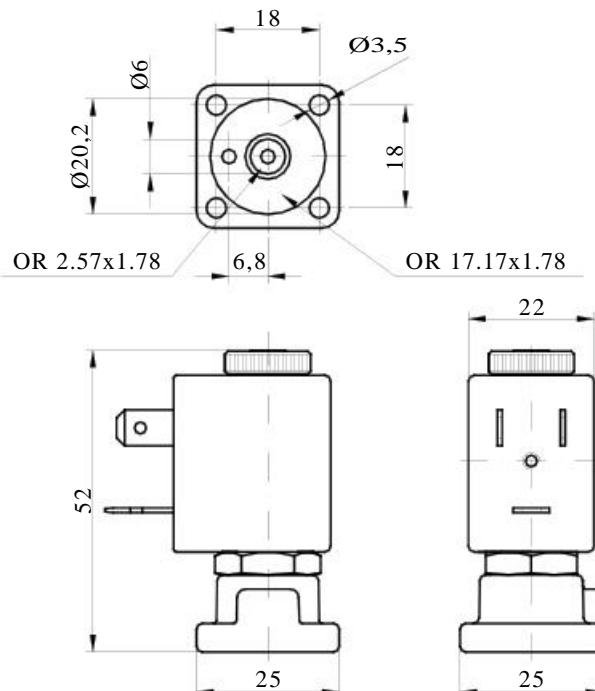


**SPARE PARTS LIST**

- 1. Coil fixing nut
- 2. Coil
- 3. Plunger
- 4. Armature tube with core



**OVERALL DIMENSION**



Weight = 0.12 Kg