



**DESCRIPTION**

Solenoid valve 3 way normally open  
direct acting poppet type

**CONSTRUCTION**

Body	Brass
Armature tube	Brass
Plunger and core	Stainless steel
Springs	Stainless steel
Seal material	NBR
	FPM
	EPDM



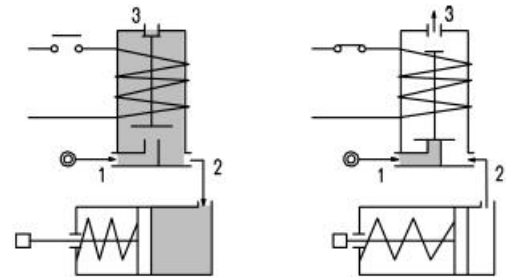
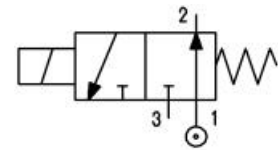
**FEATURES**

Maximum allowable pressure : maximum differential pressure + 10%

Maximum fluid viscosity 25cSt (mm<sup>2</sup>/s)

Ambient temperature : with class F coil -10°C +55°C  
with class H coil -10°C +80°C

Universal mounting position



**3**

- OPTIONS :** Stainless steel armature tube  
Electroless nickel plating  
Explosion proof coil according to ATEX - EExmII Series 7  
Exhaust port with hose tail connection

CODE ① ②	Flange	Orifice mm		KV m <sup>3</sup> /h	Differential pressure bar			Nominal power			Coil		Seal ①	Temp. range °C
		Inlet	Exh.		Min	Max		AC Inrush	VA Holding	DC Watt	Series	Width		
						AC	DC							
E313X.....12///.....	Q 25	1.2	1.2	0.04	0	12	8	12	8	6.5	3	22	NBR=B EPDM=E FPM=V	-10+90 <+140 -10+130
E313X.....15///.....	Q 25	1.5	1.2	0.06	0	9	6	12	8	6.5	3	22		

- ① Seal
- ② Coil

Example: E313XV15///30B FPM seal  
Coil 24V 50/60Hz

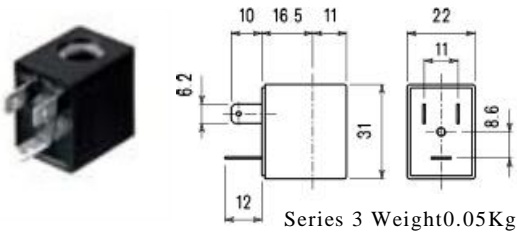
P.S. Solenoid valve supplied without fixing screws



COILS	Alternating Current ~50/60Hz Volt							Direct Current Volt			Electrical connection	Connectors
	12	24	48	110	220 230	240	380	12	24	48		
Series 3 Width 22 Code ②	30A	30B	30C	30D	30E	30F	30G	300	301	302	DIN46244	PG9 code 10348000

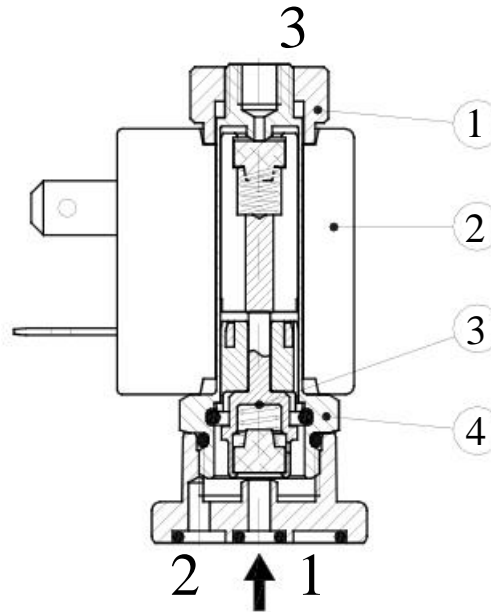
**DESCRIPTION**  
 Class F insulation  
 Voltage tolerance  
 AC +15%-10%  
 DC ±10%  
 Protection class  
 IP65 with connector fitted  
 IP00 without connector  
 Continuous service ED100%

**OPTIONS**  
 Class H insulation  
 Cable attached  
 Special coil voltages  
 Special coil powers

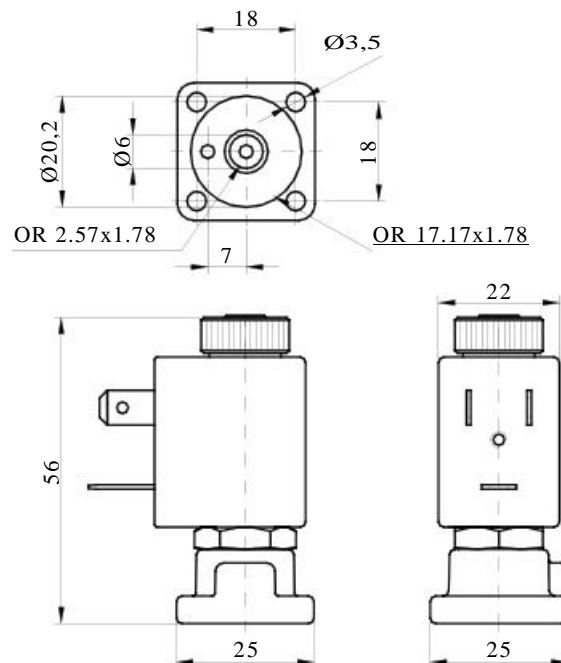


**SPARE PARTS LIST**

- 1. Coil fixing nut
- 2. Coil
- 3. Plunger
- 4. Armature tube with core



**OVERALL DIMENSION**



Weight=0.12 Kg