



**DESCRIPTION**

Solenoid valve 3 way direct acting poppet type.  
 The balanced seal and the special construction allows a big flow.  
 The solenoid valve can be used as normally closed, normally open, mixer or diverter.

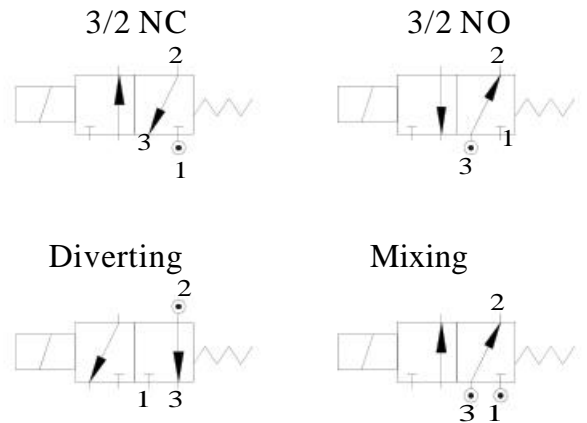
**CONSTRUCTION**

Body	Anodized aluminium
Armature tube	Stainless steel
Plunger and core	Stainless steel
Springs	Stainless steel
Seal	FPM



**FEATURES**

Maximum allowable pressure : 15 bar  
 Maximum fluid viscosity 25 cSt (mm<sup>2</sup>/s)  
 Ambient temperature : -10°C +80°C  
 Universal mounting position



**OPTIONS :** Special version for higher differential pressure

CODE ②	Connection G ISO 228	Orifice mm	KV m <sup>3</sup> /h	Differential pressure bar			Nominal power			Coil		Seal	Temp. range °C
				Min	Max		AC Inrush	VA Holding	DC Watt	Series	Width		
					AC	DC							
E320BV75///.....	1/4"	7.5	0.64	0	5	-	40	30	-	5	36	FPM=V	-10+130
D320BV75///.....	1/4"	7.5	0.64	0	-	5	-	-	27	5	36		

② Coil

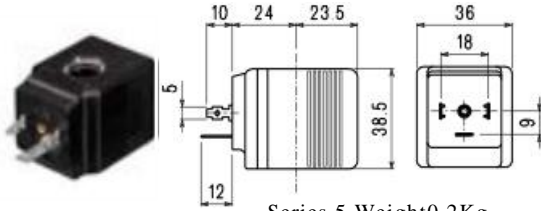
Example: E320BV75///52E FPM seal Coil 230V 50-60Hz



COILS	Alternating Current ~50/60Hz Volt							Direct Current Volt			Electrical connection	Connectors
	12	24	48	110	220 230	240	380	12	24	48		
Series 5 Width 36 Code ②	52A	52B	52C	52D	52E	52F	52G	520	521	522	DIN43650A	PG11 code 10349001

**DESCRIPTION**  
 Class H insulation  
 Voltage tolerance  
 AC +15%-10%  
 DC ±10%  
 Protection class  
 IP65 with connector fitted  
 IP00 without connector  
 Continuous service ED100%

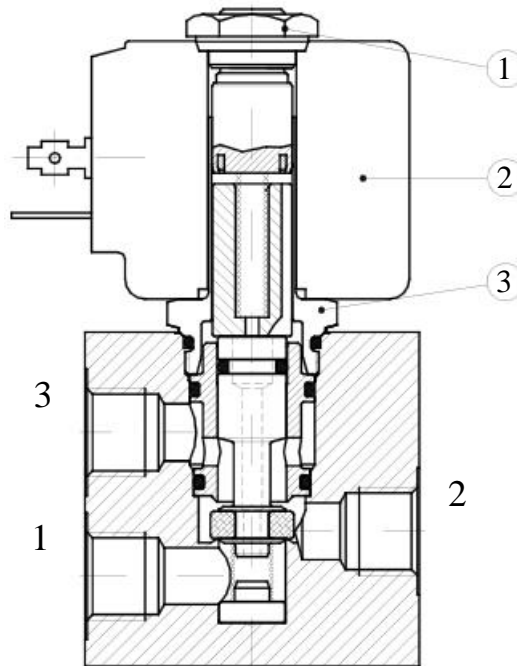
**OPTIONS**  
 Cable attached  
 Special coil powers  
 Special coil voltages



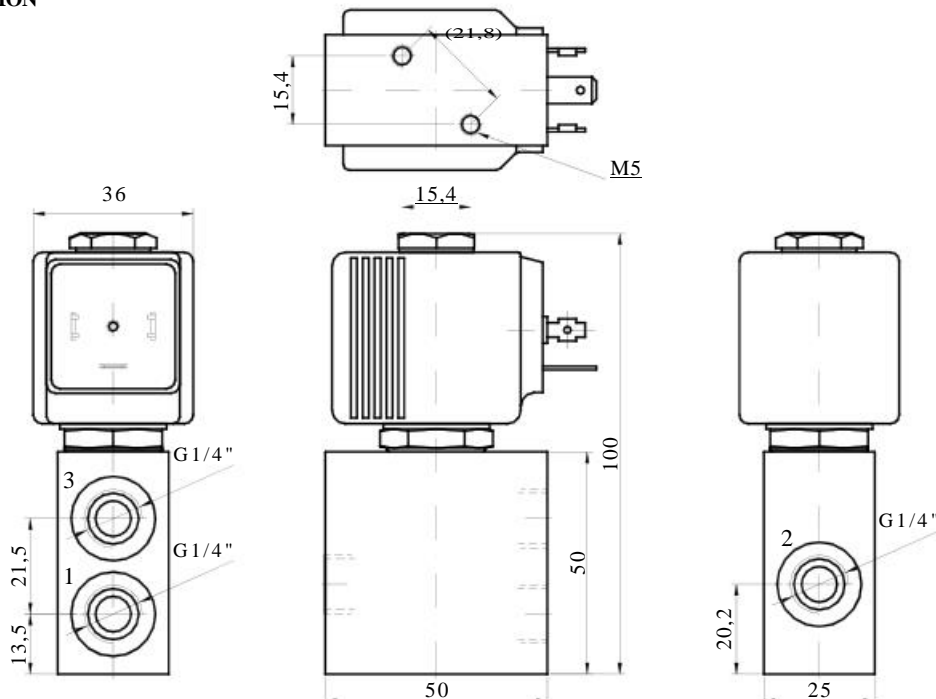
Series 5 Weight 0.2 Kg

**SPARE PARTS LIST**

- 1. Coil fixing nut
- 2. Coil
- 3. Armature tube with core



**OVERALL DIMENSION**



Weight = 0.43 Kg