



**DESCRIPTION**

Solenoid valve 3 way direct acting with dry armature.  
No metal parts in contact with the media.

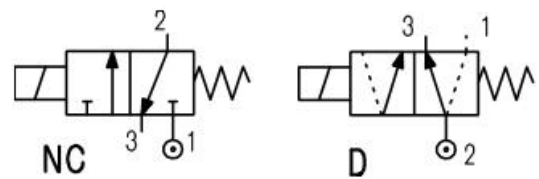
**CONSTRUCTION**

Body Acetal copolymer  
Seal material NBR



**FEATURES**

Maximum allowable pressure 0.5 bar  
Maximum fluid viscosity 25 cSt (mm<sup>2</sup>/s)  
Ambient temperature: -10°C +45°C  
Maximum fluid temperature +50°C  
Universal mounting position



3

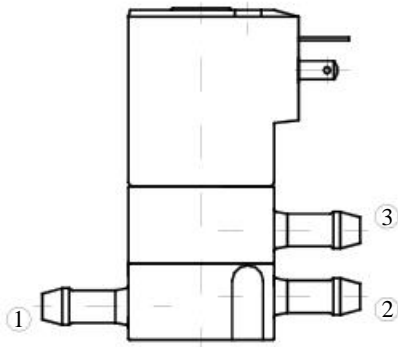
**ELECTRICAL OPERATING FEATURES**

Duty cycle : ED100%  
Insulation class : F  
Voltage tolerance : ±5%  
Protection class to IP65 with connector fitted

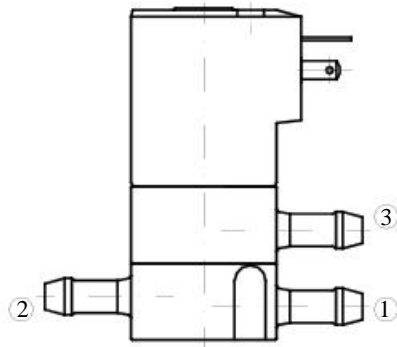
CODE ①	Hosetail connection	Orifice mm	KV m <sup>3</sup> /h	Differential pressure bar		Nominal power		Voltage		Connector	
				Min	Max	Alternating current VA		Direct current Watt	AC		DC
						Inrush	Holding				
				<b>NC Normally closed</b>		<b>D Diverting</b>					
E330PB32/.../106620	ø5.5	3.2	0.2	0	0.4	6.5	4.5	---	230	---	10348040
D330PB32/.../111140	ø5.5	3.2	0.2	0	0.4	---	---	4	---	12	
D330PB32/.../111150	ø5.5	3.2	0.2	0	0.4	---	---	4	---	24	

① Configuration

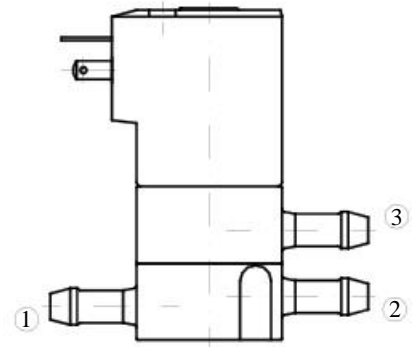
P.S. Solenoid valves and coils are not supplied separately



code /  
3/2 NC



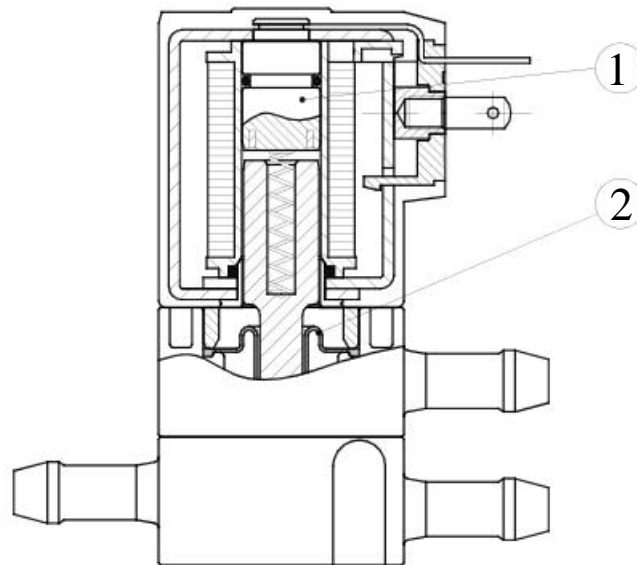
code D  
DIVERTING



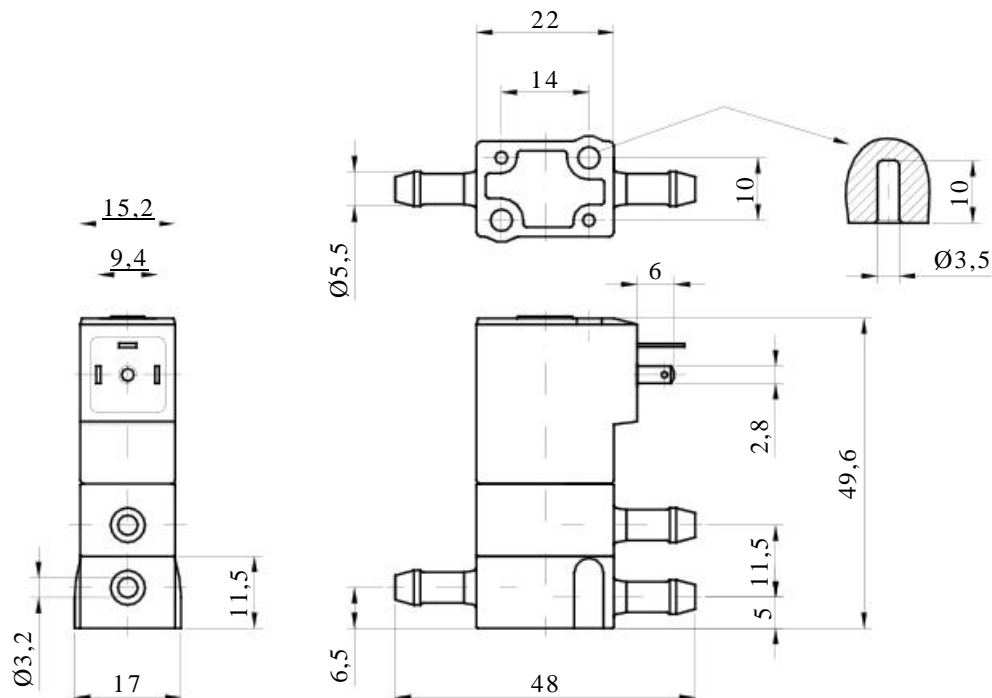
code R

**SPARE PARTS LIST**

- 1. Coil
- 2. Diaphragm



**OVERALL DIMENSION**



Weight =0.04 Kg