



DESCRIPTION

Solenoid valve 3 way normally closed
direct acting poppet type for modular construction

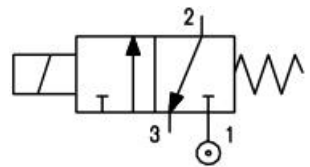
CONSTRUCTION

| | |
|------------------|--------------------|
| Body | Die-cast aluminium |
| Armature tube | Brass |
| Plunger and core | Stainless steel |
| Springs | Stainless steel |
| Seal material | NBR |
| | FPM |
| | EPDM |



FEATURES

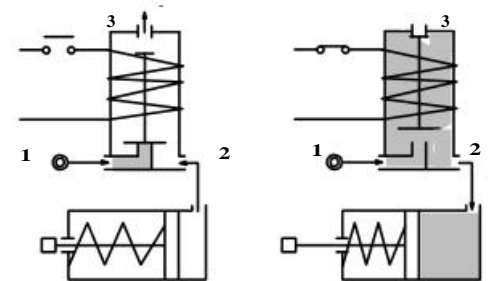
Media : Air, Neutral gases
 Ambient temperature : with class F coil -10°C +55°C
 with class H coil -10°C +80°C
 Universal mounting position



3

OPTIONS :

- Manual override
- Stainless steel armature tube
- Electroless nickel plating
- Explosion proof coil according to ATEX - EExmII Series 7
- Wetproof coil fixing nut



NOTE: This valve ISN'T standard. Contact the manufacturer for any question

| CODE ① ② | Connection | Orifice mm | | KV m³/h | Differential pressure bar | | | Nominal power | | | Coil | | Seal ① | Temp. range °C |
|----------------------|------------|---------------|------|------------|------------------------------|-----|----|---------------|---------------|------------|--------|-------|-----------|----------------------|
| | | Inlet | Exh. | | Min | Max | | AC Inrush | VA Holding | DC Watt | Series | Width | | |
| | | | | | | AC | DC | | | | | | | |
| E350B.....15///..... | G1/4" | 1.5 | 1.5 | 0.06 | 0 | 10 | 10 | 12 | 8 | 6.5 | 3 | 22 | NBR=B | -10+90 |
| E350B.....17///..... | G1/4" | 1.7 | 1.7 | 0.08 | 0 | 8 | 8 | 12 | 8 | 6.5 | 3 | 22 | | |
| E350B.....17///..... | G1/4" | 1.7 | 1.7 | 0.08 | 0 | 10 | 10 | 15 | 11 | 5 | 4 | 30 | EPDM=E | <+140 |
| E350M.....15///..... | M12x1.5 | 1.5 | 1.5 | 0.06 | 0 | 10 | 10 | 12 | 8 | 6.5 | 3 | 22 | | |
| E350M.....17///..... | M12x1.5 | 1.7 | 1.7 | 0.08 | 0 | 8 | 8 | 12 | 8 | 6.5 | 3 | 22 | FPM=V | -10+130 |
| E350M.....17///..... | M12x1.5 | 1.7 | 1.7 | 0.08 | 0 | 10 | 10 | 15 | 11 | 5 | 4 | 30 | | |

- ① Seal
- ② Coil

Example: E350MV17///30B FPM seal M12x1.5 connection
 Coil 24V 50/60Hz



| COILS | Alternating Current ~50/60Hz Volt | | | | | | | Direct Current Volt | | | Electrical connection | Connectors |
|--------------------------------|--------------------------------------|-----|-----|-----|------------|-----|-----|------------------------|-----|-----|--------------------------|-------------------------|
| | 12 | 24 | 48 | 110 | 220 230 | 240 | 380 | 12 | 24 | 48 | | |
| Series 3 Width 22 Code ② | 30A | 30B | 30C | 30D | 30E | 30F | 30G | 300 | 301 | 302 | DIN46244 | PG9 code 10348000 |
| Series 4 Width 30 Code ② | 40A | 40B | 40C | 40D | 40E | 40F | 40G | 400 | 401 | 402 | DIN43650A | PG9 code 10349000 |

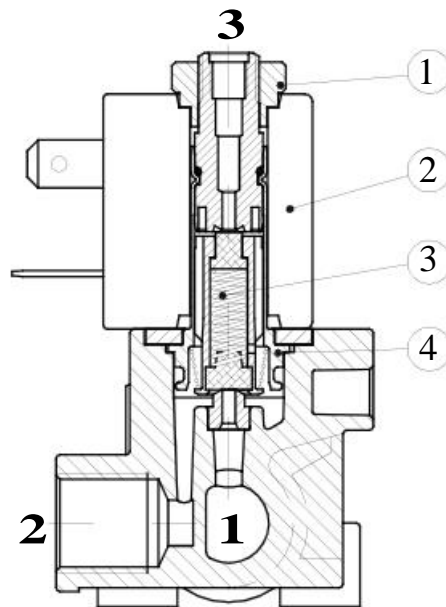
DESCRIPTION
 Class F insulation
 Voltage tolerance
 AC +15%-10%
 DC ±10%
 Protection class
 IP65 with connector fitted
 IP00 without connector
 Continuous service ED100%

OPTIONS
 Class H insulation
 Cable attached
 Special coil voltage
 Special coil powers

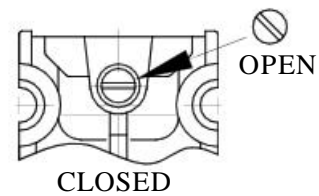


SPARE PARTS LIST

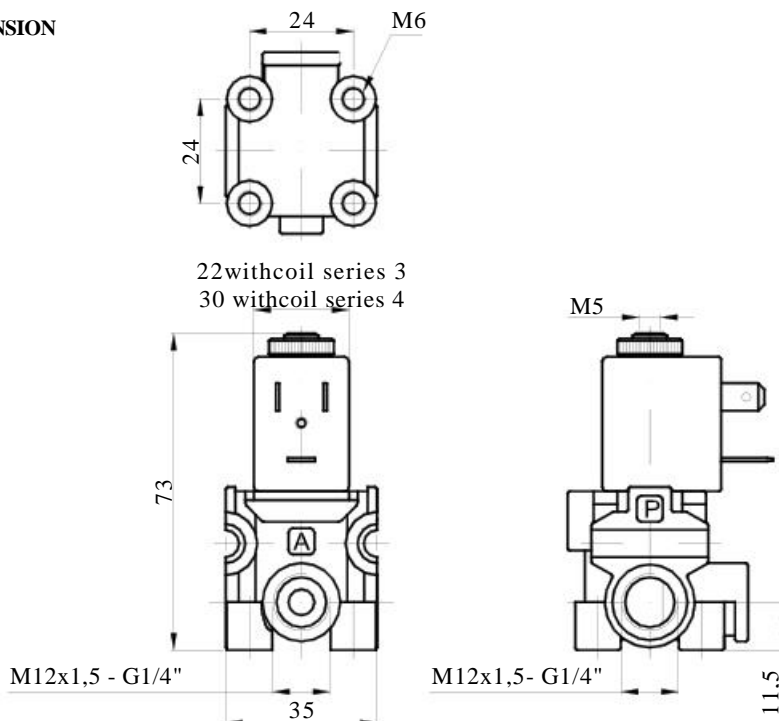
- 1. Coil fixing nut
- 2. Coil
- 3. Plunger
- 4. Armature tube with core



MANUAL OVERRIDE



OVERALL DIMENSION



Weight with coil series 3 = 0.14 Kg
 Weight with coil series 4 = 0.19 Kg