



DESCRIPTION

Solenoid valve 2 way normally closed with servo-assisted diaphragm and explosion proof coil certified: CESI 03 ATEX 344 ExII2G/D EEx“d”IIC T6



VALVE CONSTRUCTION

Body and cover Brass
 Seal material FPM
 NBR

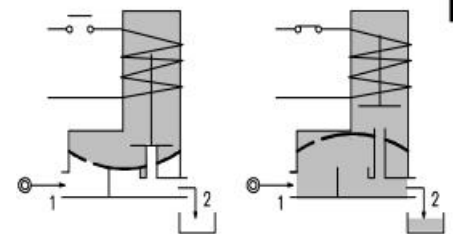
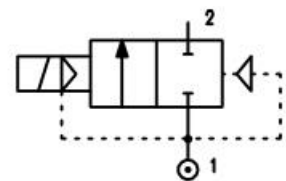
EXPLOSIONPROOF CONSTRUCTION

Housing Red colour alloy
 Electrical connection 1/2”NPT

FEATURES

Minimum differential pressure 0.15 bar
 Maximum allowable pressure 25 bar
 Maximum fluid viscosity 25cSt (mm²/s)
 Ambient temperature : -10°C +40°C
 Preferred mounting position with vertical coil above

OPTIONS : Electroless nickel plating
 Version with slow closing diaphragm



4

NOTE: The solenoid valve is suitable for contact with **NOT** potential explosive media only

CODE ①	Connection G ISO 228	Orifice mm	KV m ³ /h	Differential pressure bar			Nominal power		Coil ① Series	Seal	Temp. range °C
				Min	Max		AC Holding	DC			
					AC	DC					
A107BV10/1/.....	1/4"	10	1.5	0.15	15	15	12VA	8W	A6	FPM=V	-10+130
A107CV10/1/.....	3/8"	10	1.7	0.15	15	15					
A107CV12/1/.....	3/8"	12	2.2	0.15	15	15					
A107DV12/1/.....	1/2"	12	2.5	0.15	15	15					
A107EV18/1/.....	3/4"	18	5.5	0.15	13	13					
A107FV25/1/.....	1"	24	10.2	0.15	10	10					
A107GV30/1/.....	1 1/4"	30	15	0.15	10	10					
A107GV37/1/.....	1 1/4"	37	18	0.15	10	10					
A107HV37/1/.....	1 1/2"	37	21	0.15	10	10					
A107IV50/1/.....	2"	50	36	0.15	10	10					
A107MB75/1/.....	2 1/2"	75	75	0.3	10	10					
A107RB75/1/.....	3"	75	84	0.3	10	10				NBR=B	-10+90

① Coil

Example: A107DV12/1/A6E FPM seal
 Coil 230V 50-60Hz

Note: For G2 1/2e G3 NBR seal only

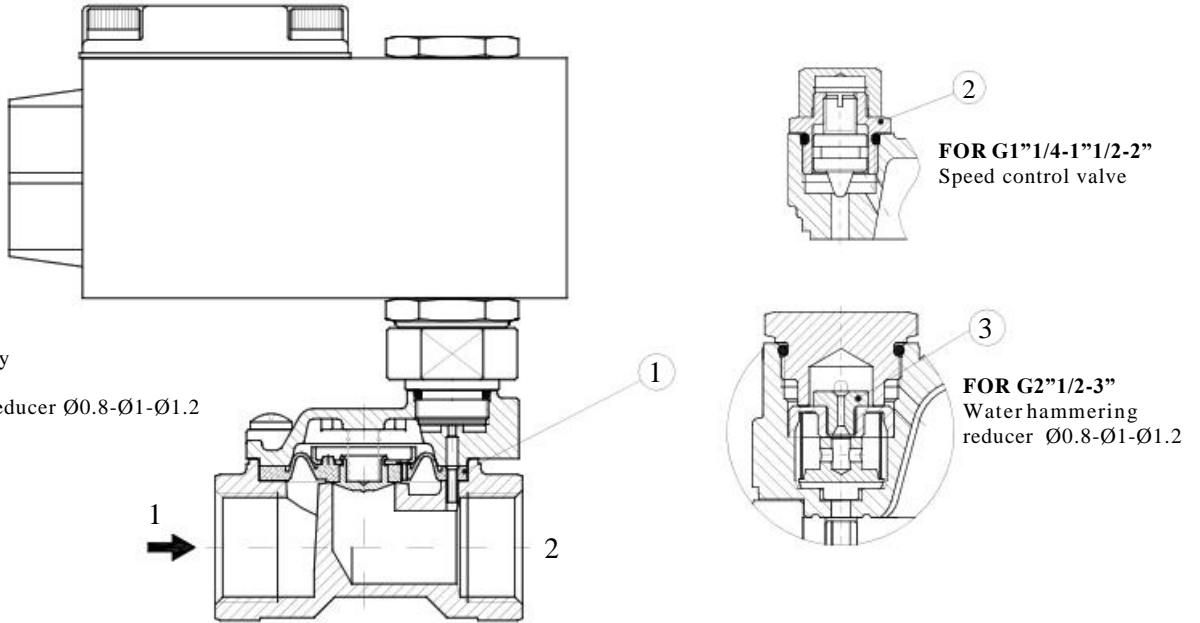


COILS	Alternating Current ~50/60Hz Volt				Direct current Volt			Electrical connection
	24	48	110	220 230	12	24	48	
Series A6 Code	A6B	A6C	A6D	A6E	A60	A61	A62	1/2"NPT

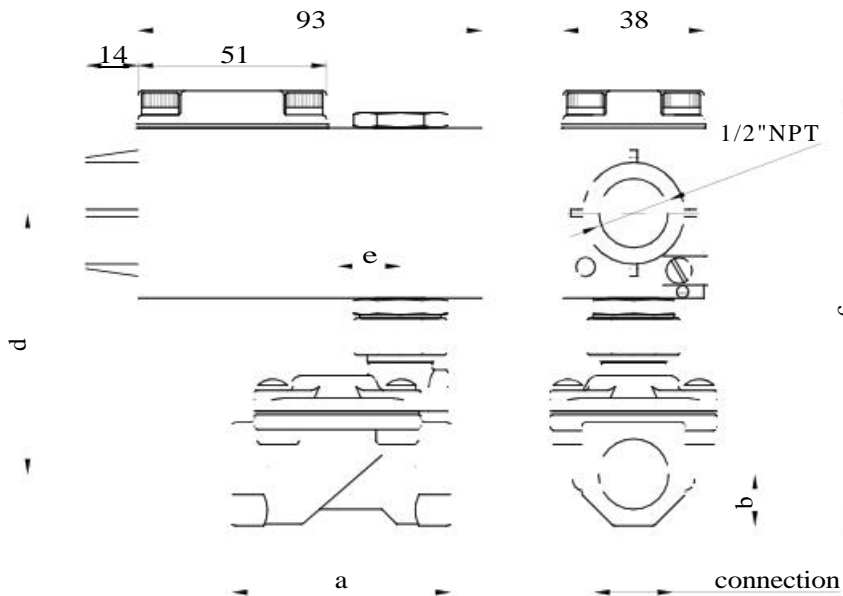
DESCRIPTION
 Voltage tolerance
 AC +15%-10%
 DC ±10%
 Protection class IP66

SPARE PARTS LIST

- 1. Diaphragm assembly
- 2. Speed control valve
- 3. Water hammering reducer Ø0.8-Ø1-Ø1.2



OVERALL DIMENSION



CONNECTION	a	b	c	d	e	Weight Kg
G1/4" 10	49	11	110	66	16	0.72
G3/8" 10	49	11	110	66	16	0.72
G3/8" 12	59	14	118	70	17	0.92
G1/2"	59	14	118	70	17	0.92
G3/4"	79	18	127	75.5	22.2	1.12
G1"	96	20	141	88	30.2	1.50
G1"1/4 Ø30	119	25	150	91	36	2.27
G1"1/4	142	28	147	86	43	3.33
G1"1/2	142	28	147	86	43	3.12
G2"	158	35	168	95	48	4.72
G2"1/2	226	51	197	112	69.2	10.40
G3"	226	51	197	112	69.2	10