



DESCRIPTION

Solenoid valve 2 way normally closed in stainless steel AISI 316 with servo-assisted diaphragm and explosion proof coil certified: CESI 03 ATEX 344 ExII2G/D EEx“d”IIC T6

VALVE CONSTRUCTION

Body and cover Stainless steel
 Seal material FPM

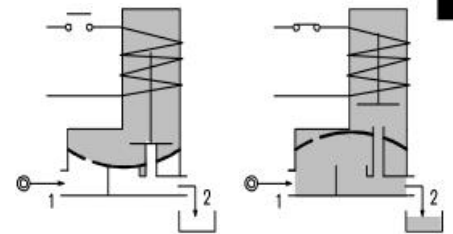
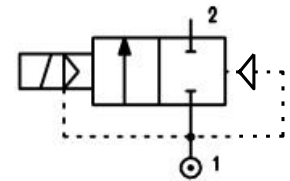
EXPLOSIONPROOF CONSTRUCTION

Housing Red colour alloy
 Electrical connection ½”NPT

FEATURES

Minimum differential pressure 0.15 bar
 Maximum allowable pressure 25 bar
 Maximum fluid viscosity 25cSt (mm²/s)
 Ambient temperature : -10°C +40°C
 Preferred mounting position with vertical coil above

OPTIONS : Version with slow closing diaphragm



4

NOTE: The solenoid valve is suitable for contact with **NOT** potential explosive media only

CODE ①	Connection G ISO 228	Orifice mm	KV m ³ /h	Differential pressure bar		Nominal power		Coil ① Series	Seal	Temp. range °C	
				Min	Max	AC Holding	DC				
								AC			DC
A177CV12/1/.....	3/8"	12	2.2	0.15	15	15	12VA	8W	A6	FPM=V	-10+130
A177DV12/1/.....	1/2"	12	2.5	0.15	15	15					
A177EV18/1/.....	3/4"	18	5.5	0.15	13	13					
A177FV25/1/.....	1"	24	10.2	0.15	10	10					

① Coil

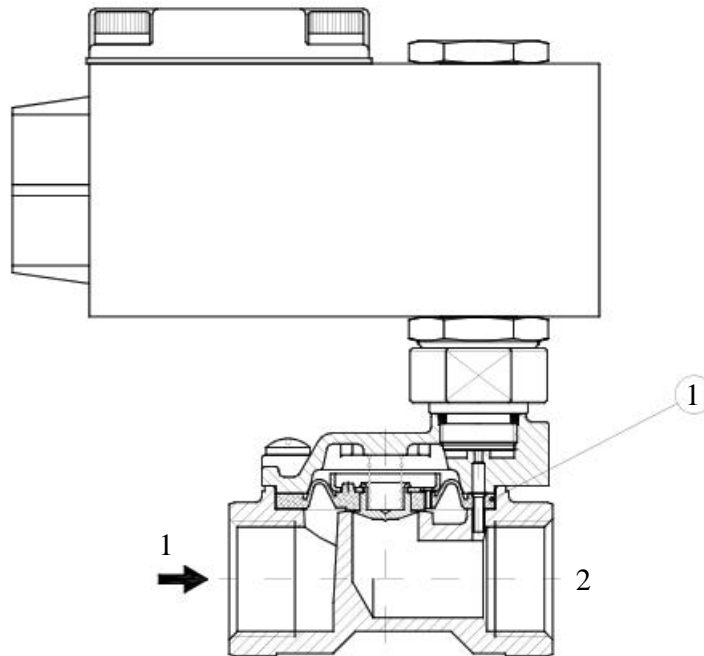
Example: A177DV12/1/A6E FPM seal
 Coil 230V 50-60Hz



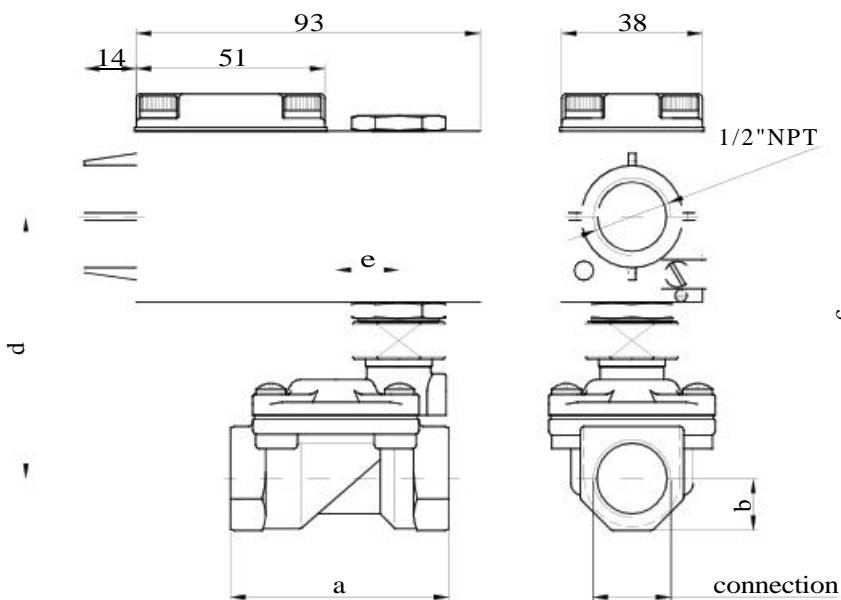
COILS	Alternating Current ~50/60Hz Volt				Direct Current Volt			Electrical connection
	24	48	110	220 230	12	24	48	
Series A 6 Code ①	A6B	A6C	A6D	A6E	A60	A61	A62	1/2"NPT

DESCRIPTION
 Voltagetolerance
 AC +15%-10%
 DC ±10%
 Protectionclass IP66

SPARE PARTS LIST
 1. Diaphragmassembly



OVERALL DIMENSION



CONNECTION	a	b	c	d	e	Weight Kg
G3/8" 12	59	11	118	70	17	1.11
G1/2"	59	13	118	70	17	1.12
G3/4"	79	18	127	75.5	22.2	1.55
G1"	96	20	141	88	30.2	2.15